

# LQH43MN181J03#

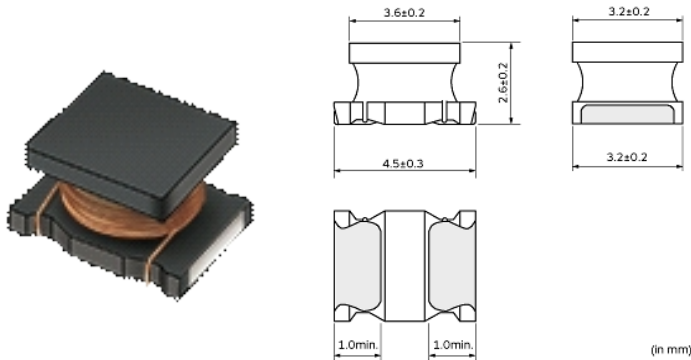
"#" indicates a package specification code.

Size Code 4532 (1812) in mm (in inch)



< List of part numbers with package codes >  
LQH43MN181J03K LQH43MN181J03L

## Appearance & Shape



## References

| Packaging | Specifications   | Minimum Order Quantity |
|-----------|------------------|------------------------|
| K         | 330Embossed Tape | 2500                   |
| L         | 180Embossed Tape | 500                    |

| Mass (typ.) |       |
|-------------|-------|
| 1 piece     | 0.13g |

## Notices

When rated current is applied to the products, self-temperature rise shall be limited to 20°C max and inductance will be within ±10% of initial inductance value.

### Attention

- 1.This datasheet is downloaded from the website of Murata Manufacturing Co., Ltd. Therefore, it's specifications are subject to change or our products in it may be discontinued without advance notice. Please check with our sales representatives or product engineers before ordering.
  - 2.This datasheet has only typical specifications because there is no space for detailed specifications.
- Therefore, please review our product specifications or consult the approval sheet for product specifications before ordering.

# LQH43MN181J03#

"#" indicates a package specification code.

## Specifications

|  |               |
|--|---------------|
| L size   | 4.5±0.3mm     |
| W size   | 3.2±0.2mm     |
| T size   | 2.6±0.2mm     |
| Size code inch (mm)  | 1812 (4532)   |
| Inductance   | 180μH±5%      |
| Inductance Test Frequency  | 1MHz          |
| Rated current (Itemp) (Based on Temperature rise)                  | 120mA         |
| Max. of DC resistance  | 4.5Ω          |
| Class of magnetic shield   | No Shield     |
| Q(min.)  | 40            |
| Q Test Frequency   | 796kHz        |
| Self resonance frequency (min.)                                    | 5MHz          |
| Operating Temperature Range(Self-temperature rise is not included) | -40°C to 85°C |
| Series   | LQH43MN_03    |

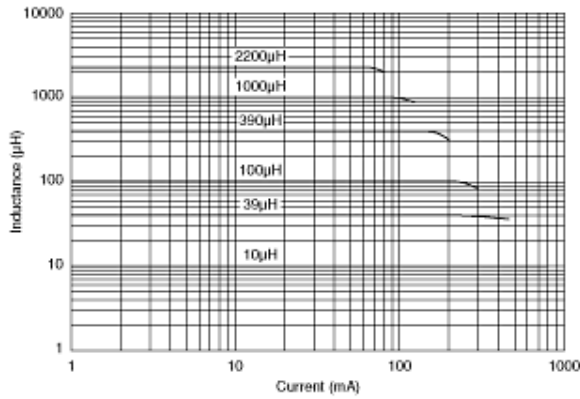
### Attention

- 1.This datasheet is downloaded from the website of Murata Manufacturing Co., Ltd. Therefore, it's specifications are subject to change or our products in it may be discontinued without advance notice. Please check with our sales representatives or product engineers before ordering.
- 2.This datasheet has only typical specifications because there is no space for detailed specifications.  
Therefore, please review our product specifications or consult the approval sheet for product specifications before ordering.

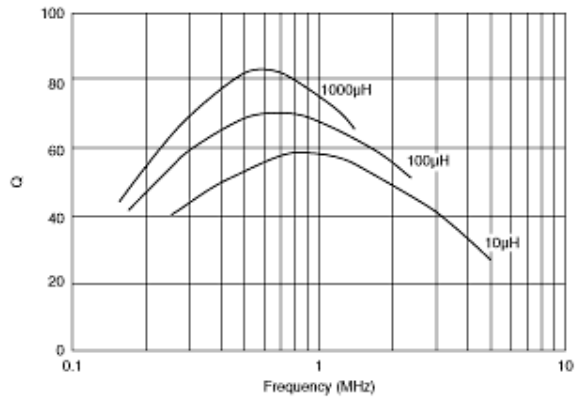
# LQH43MN181J03#

"#" indicates a package specification code.

## Product Data



Impedance - Current Characteristics



Q-Frequency Characteristics

**Attention**

- 1.This datasheet is downloaded from the website of Murata Manufacturing Co., Ltd. Therefore, it's specifications are subject to change or our products in it may be discontinued without advance notice. Please check with our sales representatives or product engineers before ordering.
  - 2.This datasheet has only typical specifications because there is no space for detailed specifications.
- Therefore, please review our product specifications or consult the approval sheet for product specifications before ordering.