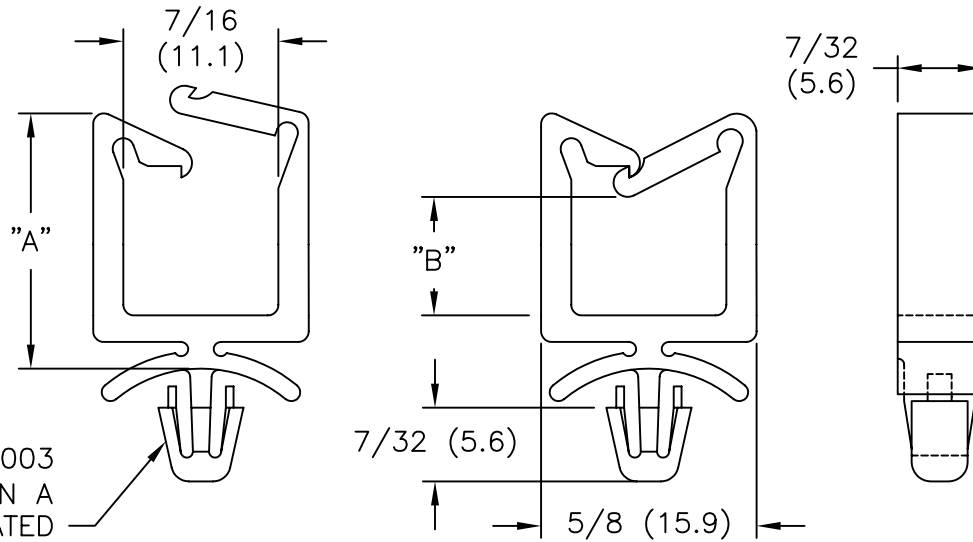


PART NUMBER		"A" REF.	"B" REF.	PANEL THICKNESS
NYLON 6/6 (RMS-01) COLOR: NATURAL	FLAME RETARDANT (RMS-19) COLOR: NATURAL			
LWS-A-1-01	LWS-A-1-19	.51 (13.0)	.14 (3.6)	1/16 (1.6)
LWS-A-2-01	LWS-A-2-19	.71 (18.0)	.34 (8.6)	
LWS-A-3-01	LWS-A-3-19	1.07 (27.2)	.72 (18.3)	
LWS-A-4-01	LWS-A-4-19	1.38 (35.1)	1.02 (25.9)	
LWS-A-2-1-01	LWS-A-2-1-19	.51 (13.0)	.14 (3.6)	1/8 (3.2)
LWS-A-2-2-01	LWS-A-2-2-19	.71 (18.0)	.34 (8.6)	
LWS-A-2-3-01	LWS-A-2-3-19	1.07 (27.2)	.72 (18.3)	
LWS-A-2-4-01	LWS-A-2-4-19	1.38 (35.1)	1.02 (25.9)	



AS MOLDED
POSITION

LOCKED
POSITION

TO SNAP-LOCK IN A .187±.003
(4.75±0.08) DIA. HOLE, IN A
PANEL THICKNESS INDICATED

TITLE: LOCKING WIRE SADDLE W/ARROWHEAD		DWG IN (MM)		FINAL			
TOLERANCES UNLESS NOTED .XX=±.010 .XXX=±.005 FRAC=±1/64 ANG=±1'	FILE # LWS-A	DWN: P.B.	APP:	PART #		PRINT TYPE	
	MAT'L: SEE TABLE	DT: 05-10-94	DT:	SEE TABLE		CA	
	RE: RICHCO INC.	RICHCO INC. PO BOX 804238, CHICAGO, 60680 (773) 539-4060					

C	UPDATED PRINT AND ADDED RMS NO. TO MATERIAL	SM 03.13.02
B	CHANGED FILE NUMBER	SM 05.30.01
A	LWS-A-2 BECAME STANDARD	J.L.12.9.98
REV	DESCRIPTION	ENGR DATE