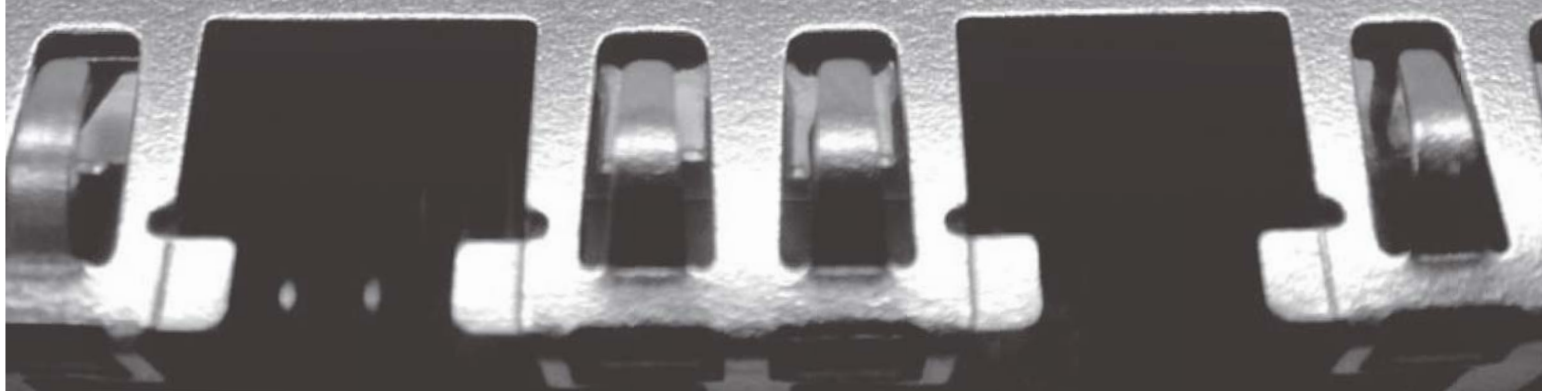


Modular Jacks



Amphenol



Amphenol[®]
Now you're connected!

Amphenol

Amphenol Commercial Products Group of **Amphenol Canada Corp.**, a subsidiary of Amphenol Corporation, is an *ISO 9001 certified* facility located in Toronto, Canada. Our activities are dedicated to the design, development, and manufacturing of interconnect products intended for use in the data communications and telecommunications markets. Our expertise in understanding and supporting our customers' interconnect needs has earned Amphenol Canada a reputation of quality and excellence among the world's leading users of electronic components.

This modular jack catalogue represents some of our more popular products within this product category. Other product categories include, but is not limited to: D-Sub, Micro-Ribbon, USB, Headers and Sockets, CoolPower connectors, VHDCI, Capacitively Decoupled BNC, filtered connectors (D-Subs and micro-ribbon), and rugged connectors (RJ, USB, D-Subs, and bulkhead adapters).

All of our modular jacks are RoHS compliant.

All drawings in this document are in inches [mm], unless otherwise indicated.



Can't find what you are looking for?

For other modular jack products, modifications, and customizations, please contact us at sales@amphenolcanada.com.

Note: All specifications are subject to change without notice. This catalogue is updated regularly. Please refer to www.amphenolcanada.com for the most recent edition.

Telephone: (416) 754-5656

Fax: (416) 754-8668

E-mail: sales@amphenolcanada.com

Table of Contents

Right Angle (Side Entry)

EMI Quiet with LEDs	RJHS	3-6
Surface Mount with Light Pipes	RJSSE	7-9
1, 2, and 4 Port with LEDs	RJSBE	10-12
Filtered and Shielded	FRJAE	13-15
RJ45 Surface Mount with LEDs	RJCSE	16-17
Surface Mount Ultra Low Profile	RJLSE	18-19
RJ45 and RJ11 Standard Profile	RJESE	20-22
RJ11 (six position)	RJE01	23-24
Single Port High Profile	RJE02	25
Single Port Low Profile	RJE03	26-27
Ultra Low Profile	RJE05	28-29
Single Port Surface Mount	RJE07	30-31
Standard Profile	RJE09	32-34
Single Port Low Profile	RJE15	35-36
Recessed, Low Profile	RJULE	37-38
RJ45 Press Fit	RJE56	39-40
RJ45 with LEDs	RJE73	41-42

Vertical (Top Entry)

EMI Quiet with LEDs	RJHS	3-6
Single Port Slim Profile	RJE06	43-44
Single Port Standard Profile	RJE08	45
Single Port Surface Mount	RJE23	46-47
Single Port	RJE74	48-49
Single Port, Vertical, with LEDs	RJE88	50-51

Stacked

2, 4, and 8 Ports with LEDs and Shield Options	RJSAE	52-54
4 over 4 Ports with LEDs and Shield Options	RJSNE	55-56

Category 5e

Right Angled, Low Profile	RJE48	57-58
Right Angled, Standard Profile	RJE58	59-60
Right Angled, Recessed, Low Profile	RJE72	61-62

Category 6

Right Angled, Recessed, Low Profile	RJE71	63-64
Single Port, Low Profile	RJE45	65-66

Accessories

RJ45 Coupler	RJE17	67-68
RJ45 Dust Cover*	FRJ-2411	
RJ11 Dust Cover *	FRJ-2611	
LED Options		69

* For more information on our dust covers please visit www.amphenolcanada.com or email sales@amphenolcanada.com

EMI Quiet Modular Jack with LEDs

A series of EMI Quiet Modular Jack connectors with built-in LEDs. This product is ideal for LAN applications such as adapter cards and routers. Shielded and non-shielded versions are available, with a variety of LED colours and ports.



Specifications

Material

Insulator: High temperature engineering thermoplastic; Complies with UL 94V-0. Colour: Black.

Contacts: Phosphor Bronze hard temper with gold thickness options (6µ", 15µ", 30µ", 50µ") Over 50µ" minimum nickel on contact mating area, 100µ" minimum matte tin plating on soldering tail

Shield: Stainless Steel with tin dipped tails

LED: Tin plating on LED tails. Epoxy lens.

Standard LEDs:

Forward Voltage: 2.1 Volts typical
Reverse Voltage: 6 Volts minimum
Luminous Intensity: 0.5mCd minimum (at If = 2mA)

Low Current LEDs:

Forward Voltage: 2 Volts typical
Reverse Voltage: 6 Volts minimum
Luminous Intensity: 1 mCd minimum (at If = 2mA)

Electrical

Contact Resistance: 20 mΩ maximum

Insulation Resistance: 500 MΩ minimum at 500V DC for 2 mins. max.

Current Rating: 1.5 Amps

Voltage Rating: 125 Volts AC

DWV: 1000 VAC, 60 Hz. 1 minute

Mechanical

Mating Connector Insertion Force: 5 lbs. maximum

Pull Retention Force: 20 lbs. minimum

Durability: 750 mating and unmating cycles

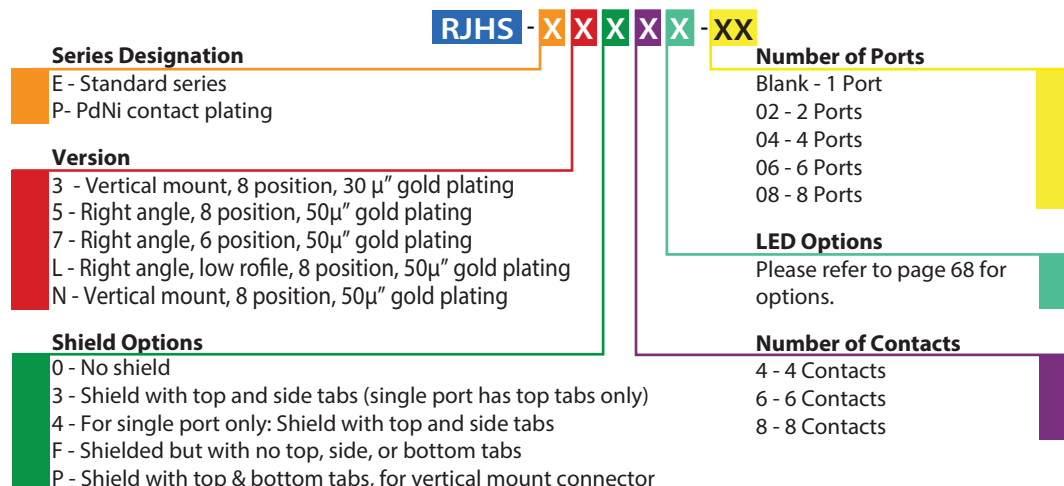
Recommended Soldering Temperature: 260°C for 5 seconds maximum (connectors without LEDs are suitable for IR reflow)

Operating Temperature: -55°C to + 85°C

UL File #: E135615

CSA File #: LR685398

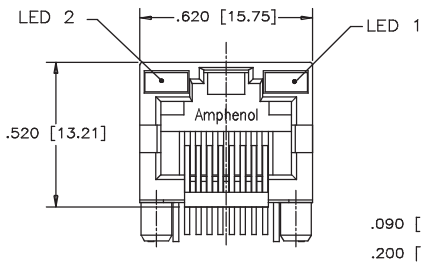
Ordering Information



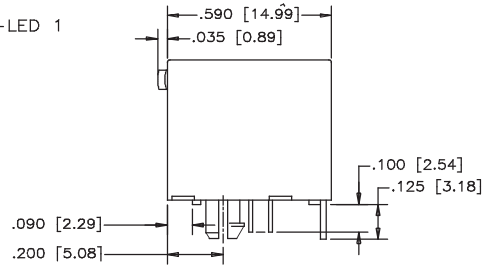
Didn't find what you were looking for?
Please contact sales@amphenolcanada.com and let us know what you need.

Single Port Non-Shielded

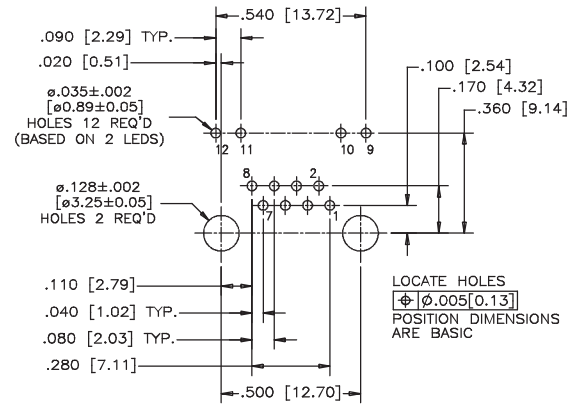
RJHS-508X



FRONT VIEW



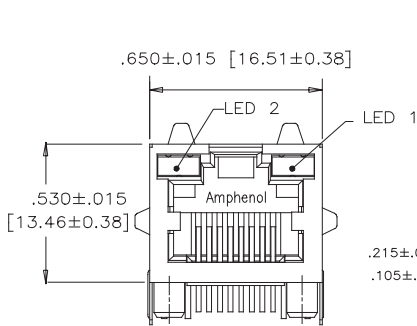
SIDE VIEW



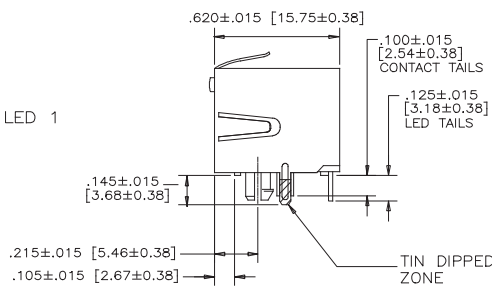
RECOMMENDED PCB LAYOUT

Shielded - With Top & Side Ground Tabs

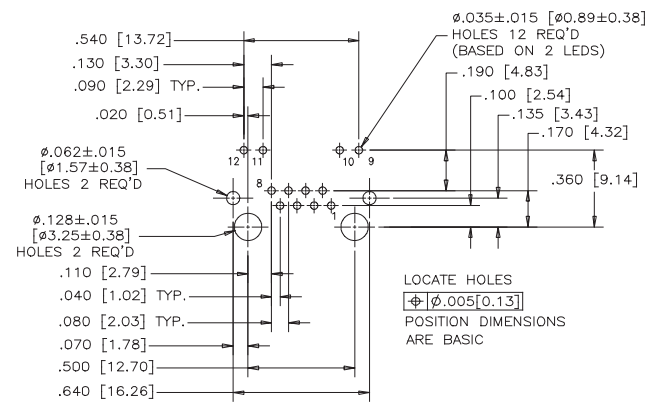
RJHS-548X



FRONT VIEW



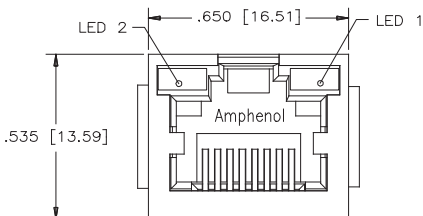
SIDE VIEW



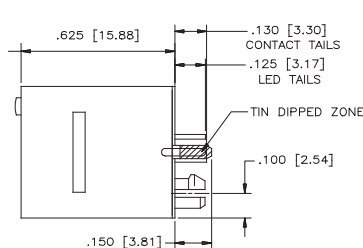
RECOMMENDED PCB LAYOUT

Vertical Mount

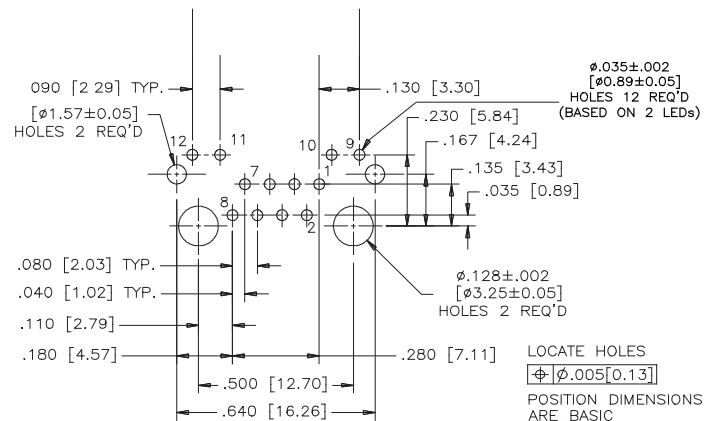
RJHS-338X



FRONT VIEW

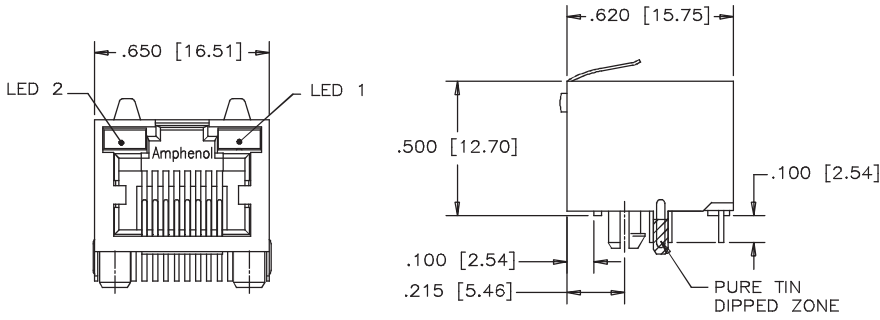


SIDE VIEW



RECOMMENDED PCB LAYOUT

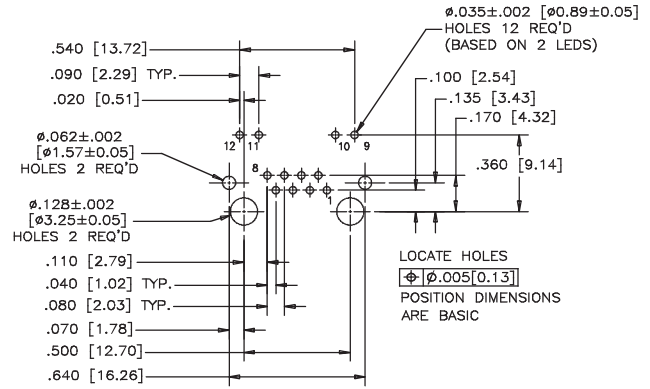
Single Port Shielded - Low Profile



FRONT VIEW

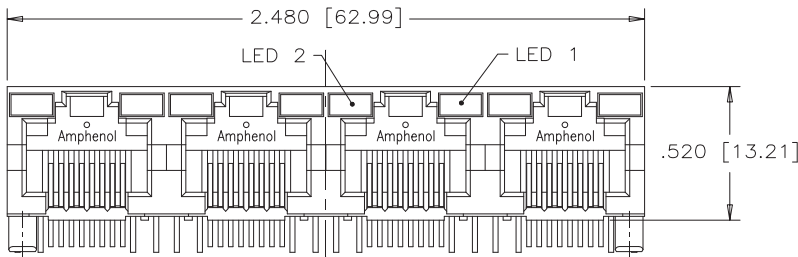
SIDE VIEW

RJSE-L38 X



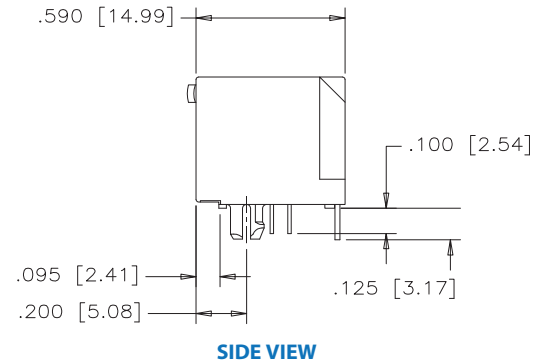
RECOMMENDED PCB LAYOUT

Multi Port Non-Shielded

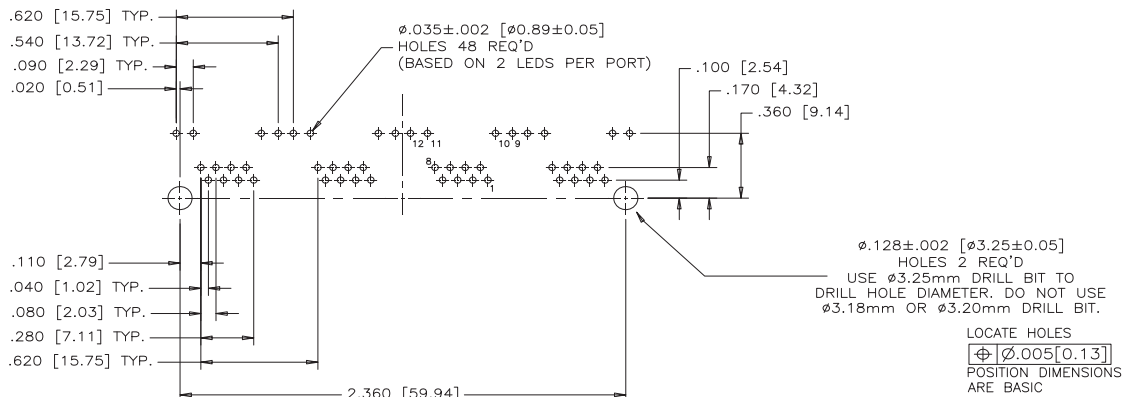


FRONT VIEW

RJSE-508 X04



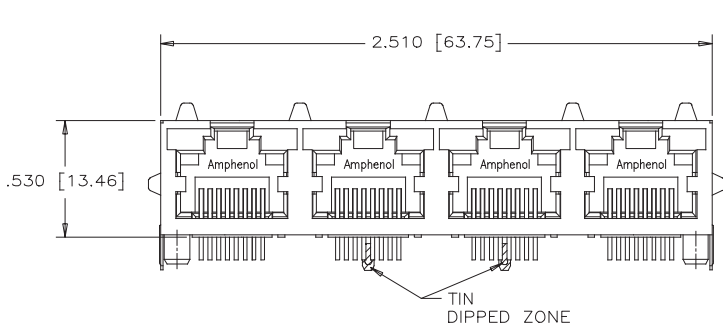
SIDE VIEW



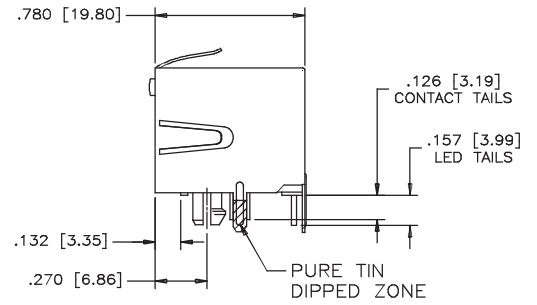
RECOMMENDED PCB LAYOUT

Multi Port Shielded

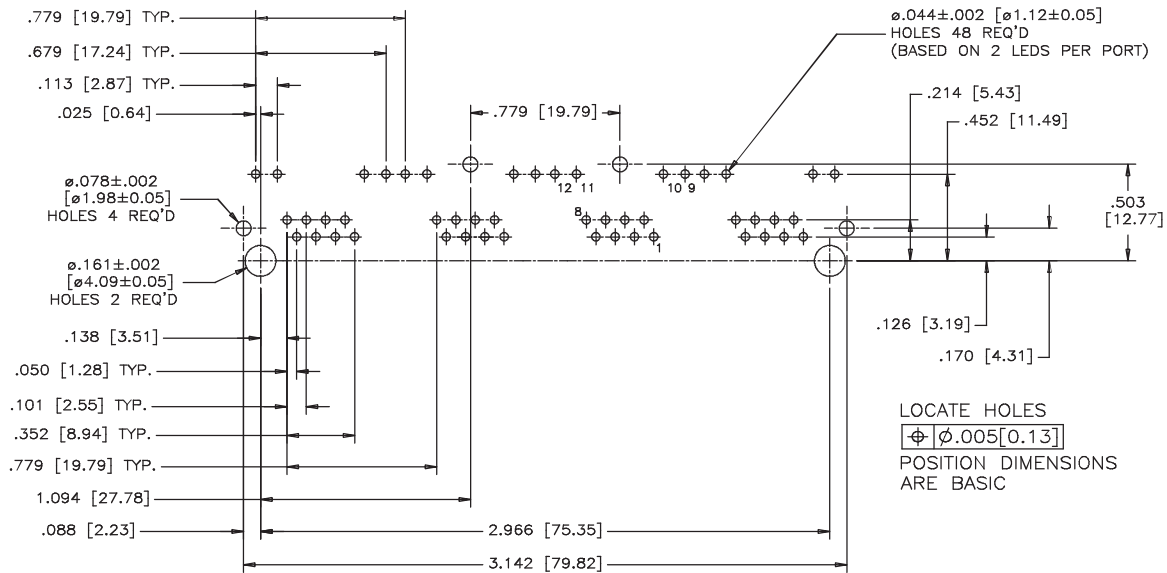
RJHSE-538 X04



FRONT VIEW



SIDE VIEW



RECOMMENDED PCB LAYOUT

Notes

Surface Mount with Light Pipes

Amphenol Canada's RJSSE series represents an expansion of our current RJHSE series connector. The RJSSE offers all the benefits of the RJHSE series in SMT with light pipes. Shielded and unshielded versions are available with or without light pipes.



Specifications

Material

Insulator: High temperature engineering thermoplastic; Complies with UL 94V-0, Black color
Contacts: Phosphor Bronze hard temper selective plated gold. Over 50µ" minimum nickel on contact mating area, 100µ" minimum matte tin plating on soldering tail
Shield: Copper alloy; nickel or matte tin plating
LED: Optical grade polycarbonate; complies with

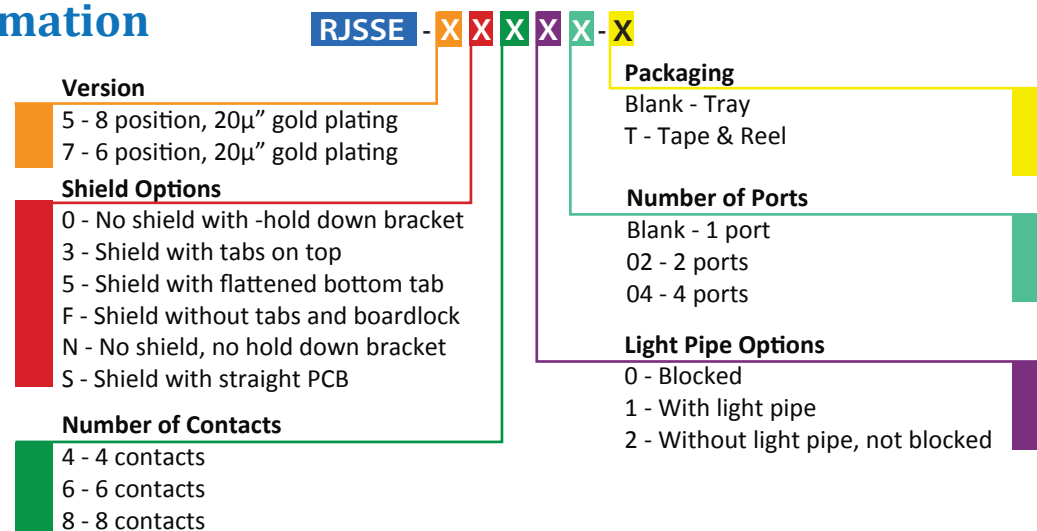
Electrical

Contact Resistance: 20 mΩ maximum
Insulation Resistance: 500 MΩ minimum at 500V DC for 2 mins. max.
Current Rating: 1.5 Amps
Voltage Rating: 125 Volts AC
DWV: 1000 VAC, 60 Hz. 1 minute

Mechanical

Mating Connector Insertion Force: 5 lbs. maximum
Durability: 20 lbs. minimum
Recommended Soldering Temperature: 750 mating and unmating cycles
 IR Reflow peaked at 260°C for 5 to 8 seconds (Light Pipes to be installed after soldering)
Operating Temperature: -55°C to + 85°C
UL File #: E135615

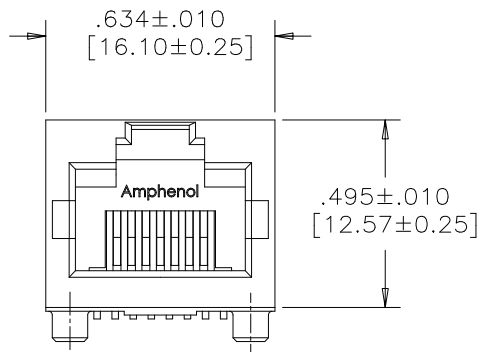
Ordering Information



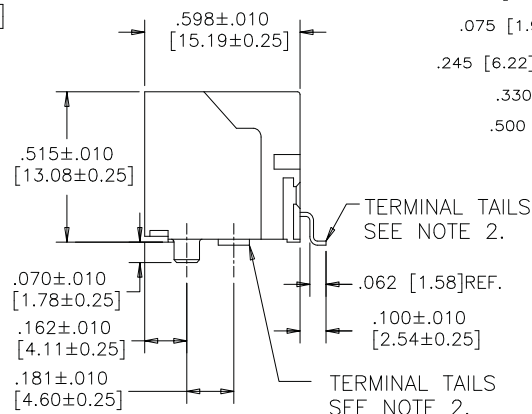
The light pipes are available to be purchased on their own.
 Part number: RJSSE-2458-01

Didn't find what you were looking for?
 Please contact sales@amphenolcanada.com and let us know what you need.

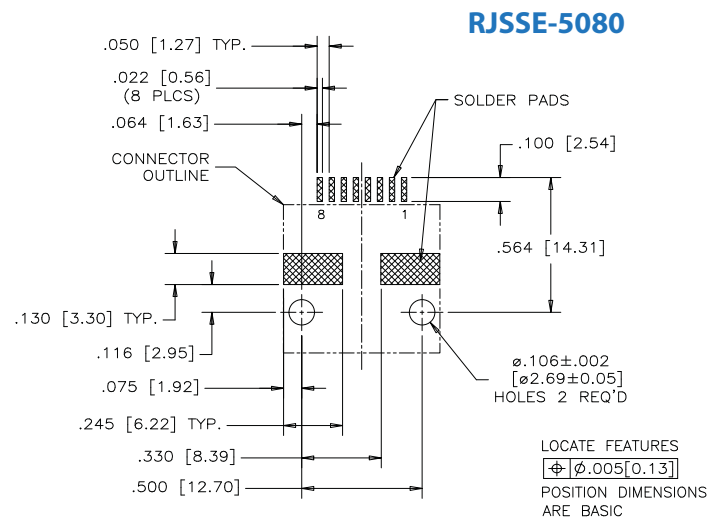
Single Port Non-Shielded



FRONT VIEW

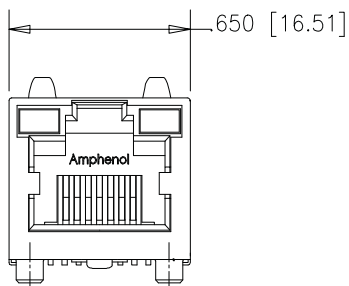


SIDE VIEW

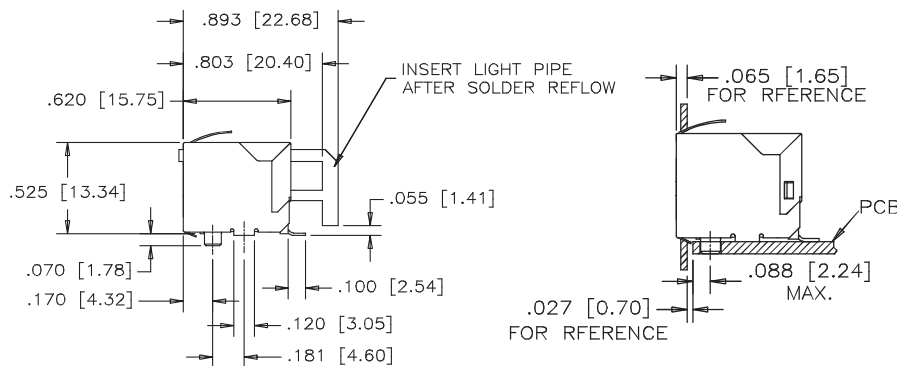


RECOMMENDED PCB LAYOUT

Standard Shield - With Top & Side Ground Tabs

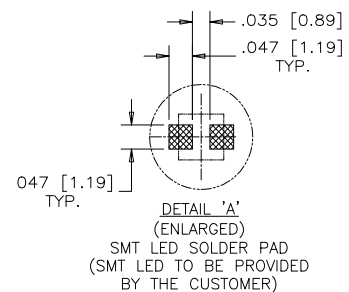
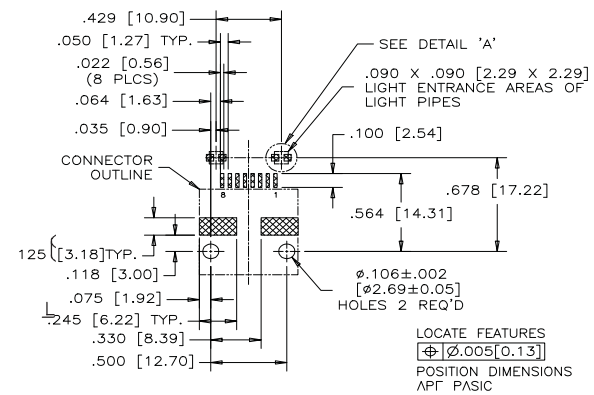


FRONT VIEW



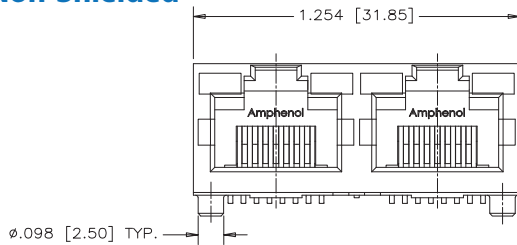
SIDE VIEW

RJSSE-5381

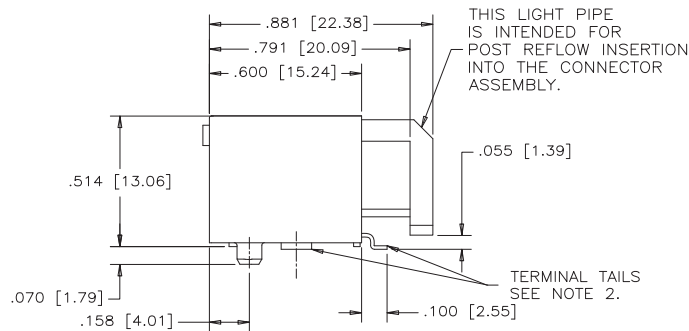


RJSSE-5081-02

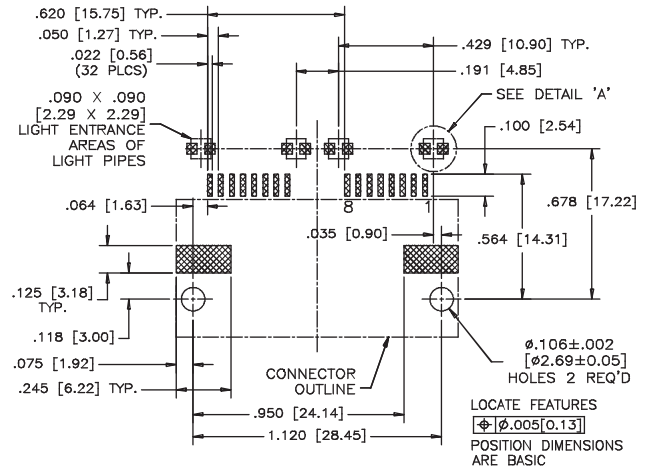
Multi Port Non-Shielded



FRONT VIEW



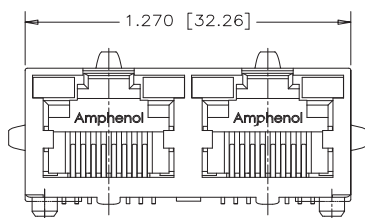
SIDE VIEW



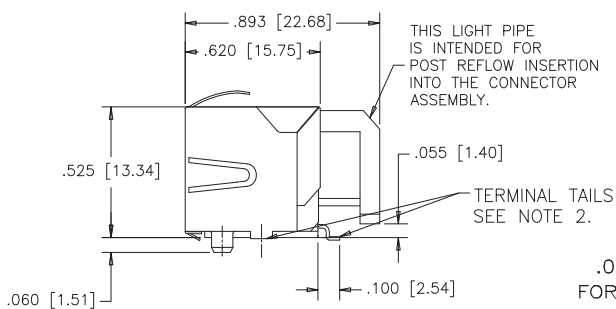
RECOMMENDED PCB LAYOUT

Multi Port Shielded

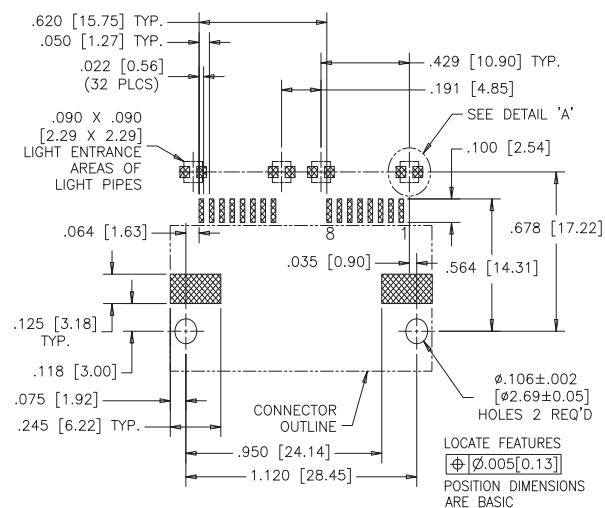
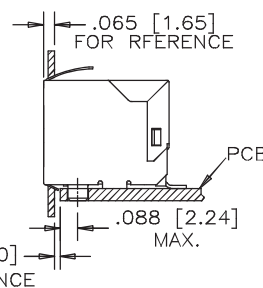
RJSSE-5381-02



FRONT VIEW



SIDE VIEW



RECOMMENDED PCB LAYOUT

1, 2, and 4 Port with LEDs

The RJSBE series of modular jacks supports Ethernet Protocols. Shielding available with or without a ferrite filter for increased EMI performance and LEDs for link activity and network speed verification.



Specifications

Material

Insulator:	High temperature engineering thermoplastic; Complies with UL 94V-0, Black colour
Contacts:	Phosphor Bronze hard temper with gold thickness options (6µ", 15µ", 30µ", 50µ") Over 50µ" minimum nickel on contact mating area, 100µ" minimum matte tin plating on soldering tail
Shield:	Copper alloy; nickel plated with tin dipped tails
LED:	Tin plating on LED tails. Epoxy lens.

Electrical

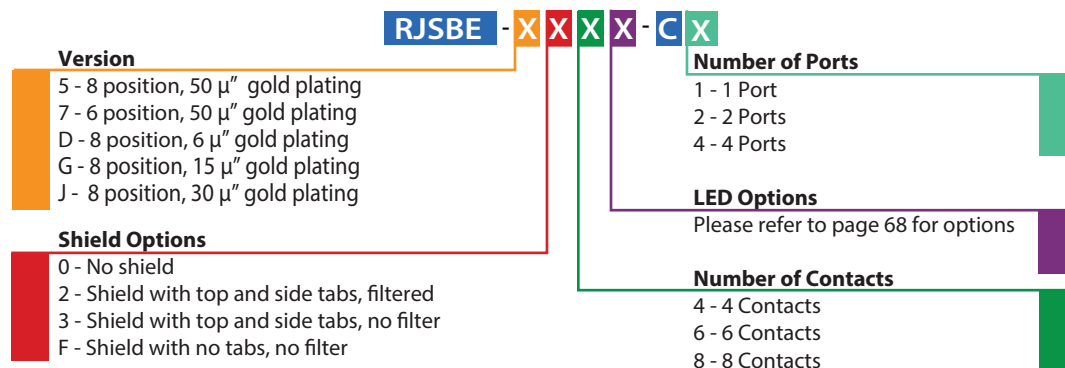
Contact Resistance:	20 mΩ maximum
Insulation Resistance:	500 MΩ minimum at 500V DC for 2 mins. max.
Current Rating:	1.5 Amps
Voltage Rating:	125 Volts AC
DWV:	1000 VAC, 60 Hz. 1 minute
LED Forward DC Current:	20 mA typical
LED Forward Voltage:	1.9 Volts maximum (at If=2mA) for single colors 1.6 Volts maximum (at If = 2mA) for bi-colors

LED Reverse Voltage:	5 Volts minimum
LED Light Intensity:	0.4 to 1.5 mCd minimum (at If = 2mA) for single colors 0.4 mCd minimum (at If = 2mA) for bi-colors
LED Wave Length:	Yellow: 587 ± 7 nm measured at 20mA Green: 565 ± 6 nm measured at 20mA Red: 625 ± 5 nm measured at 20mA

Mechanical

Mating Connector Insertion Force:	5 lbs. maximum
Mating Connector Pull	20 lbs. minimum
Retention Force:	
Durability:	750 mating and unmating cycles
Recommended Soldering Temperature:	Wave soldering peaked at 260°C for 5 seconds maximum (connectors without LEDs are suitable for IR reflow)
Operating Temperature:	-55°C to + 85°C
UL File #:	E135615
CSA File #:	LR685398

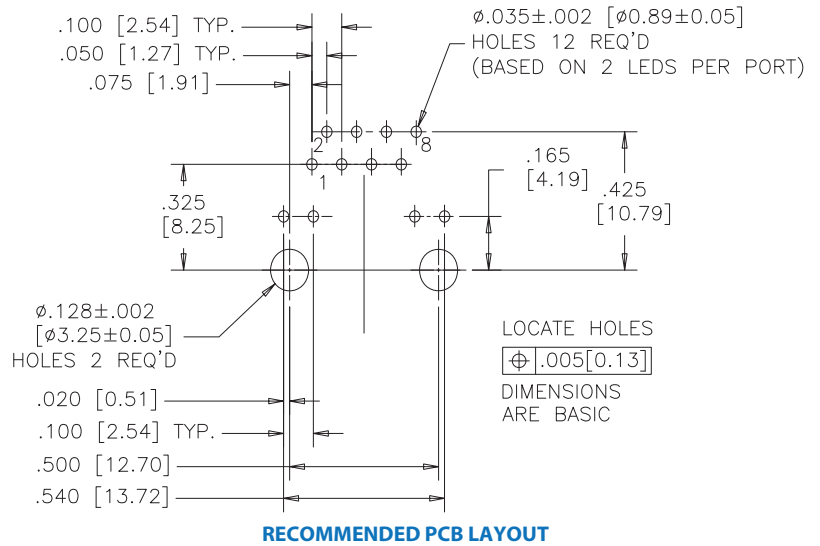
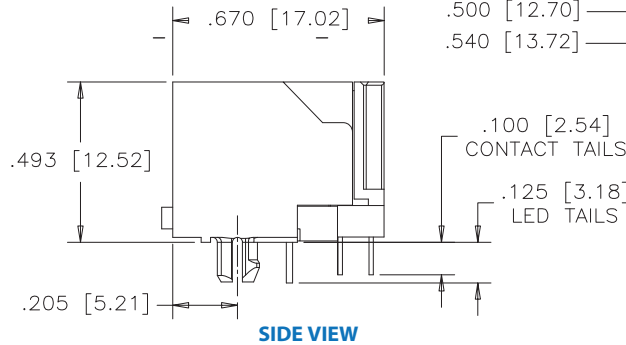
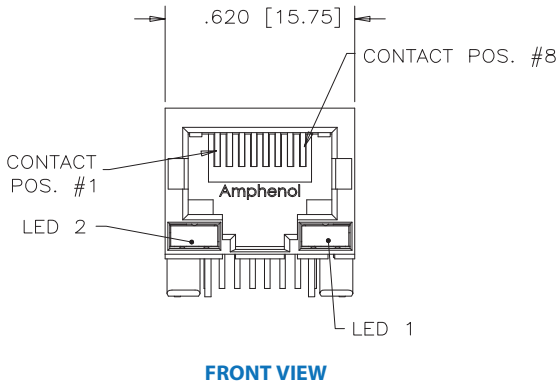
Ordering Information



Didn't find what you were looking for?
Please contact sales@amphenolcanada.com and let us know what you need.

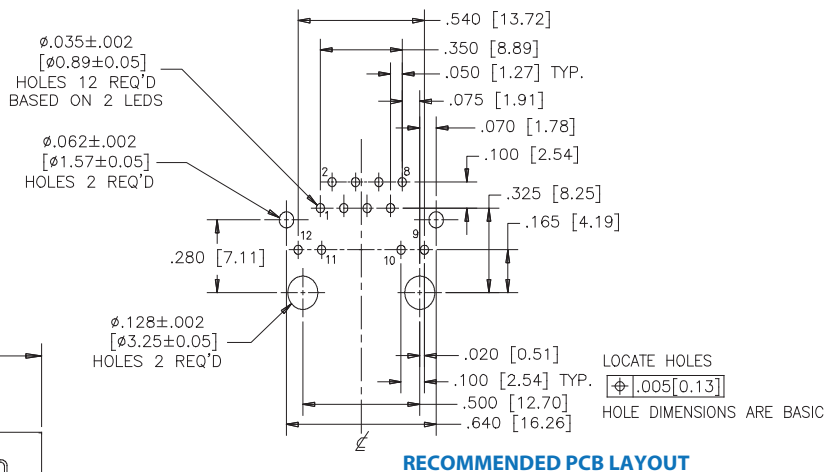
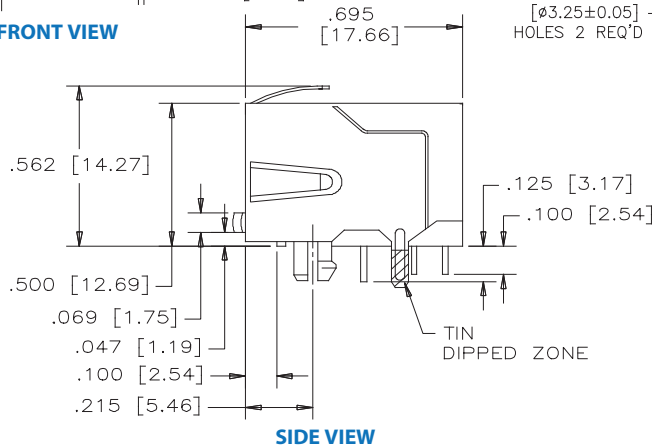
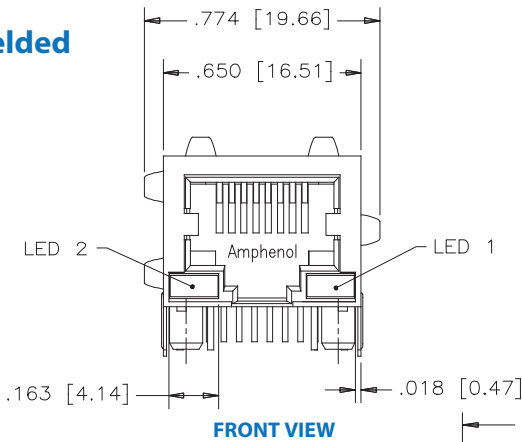
Single Port Non-Shielded

RJSBE-508X-C1



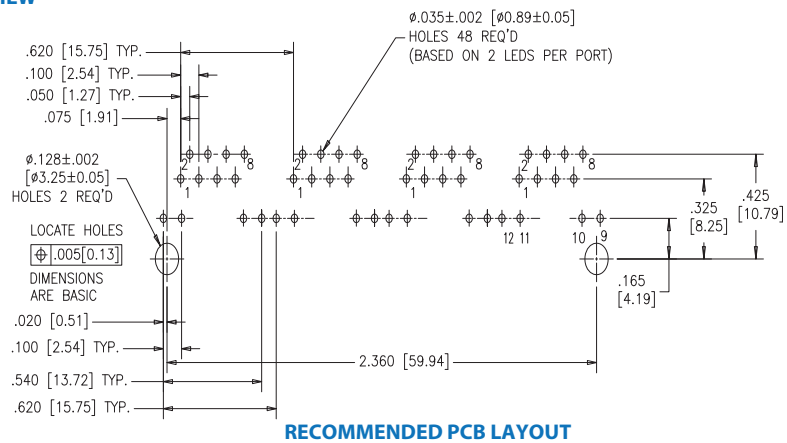
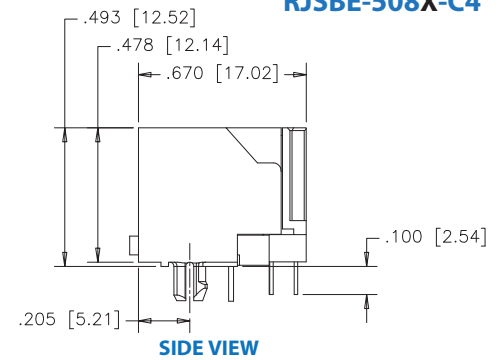
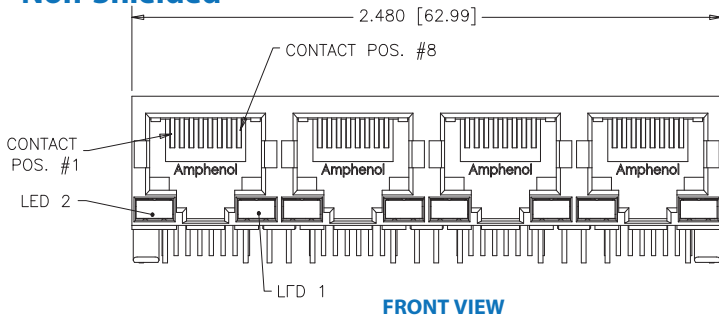
Shielded

RJSBE-538X-C1



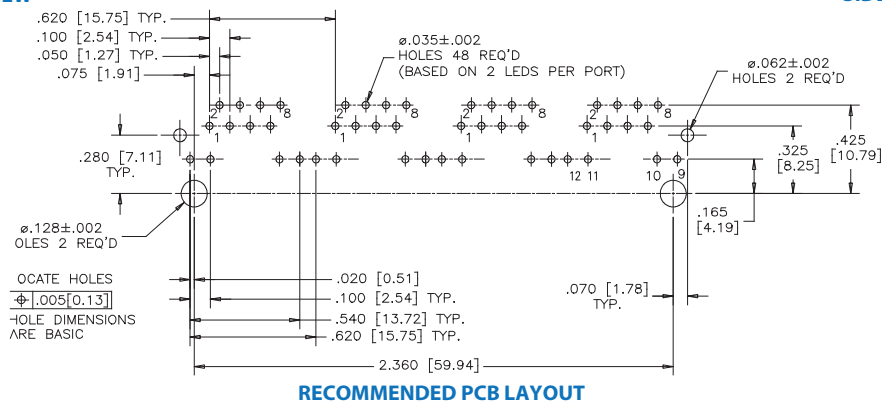
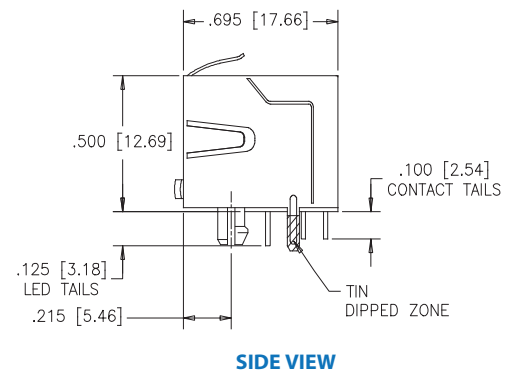
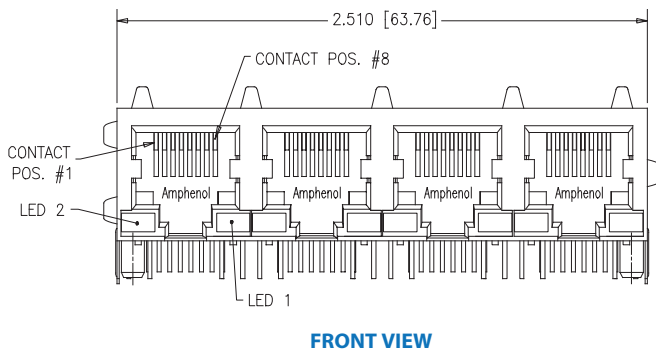
Multi Port Non-Shielded

RJSBE-508X-C4



Multi Port Shielded

RJSBE-538X-C4



Filtered and Shielded

The FRJAE series of shielded and filtered modular jacks offer low cost and effective EMC control within standard RJ11 and RJ45 connector footprints. EMC control is offered by a completely shielded connector and/or with the use of a high resistivity, high impedance ferrite block. No board layout changes are required for its use. Simply replace the standard non-filtered connector for superior EMC performance.



Specifications

Material

- Insulator:** High temperature engineering thermoplastic; Complies with UL 94V-0, Black color
- Contacts:** Phosphor Bronze hard temper with gold thickness options (6μ", 15μ", 30μ", 50μ")
Over 50μ" minimum nickel on contact mating area, 100μ" minimum matte tin plating on soldering tail
- Shield:** Copper alloy; nickel plated with tin dipped tail
- Filter:** High impedance, high resistivity ferrite block

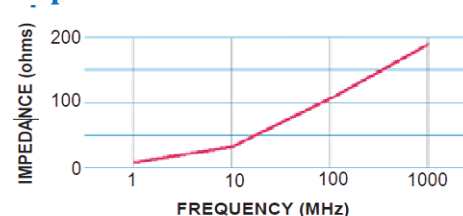
Electrical

- Contact Resistance:** 20 mΩ maximum
- Insulation Resistance:** 500 MΩ minimum at 500V DC for 2 mins. max.
- Current Rating:** 1.5 Amps
- Voltage Rating:** 125 Volts AC
- DWV:** 1000 VAC, 60 Hz. 1 minute

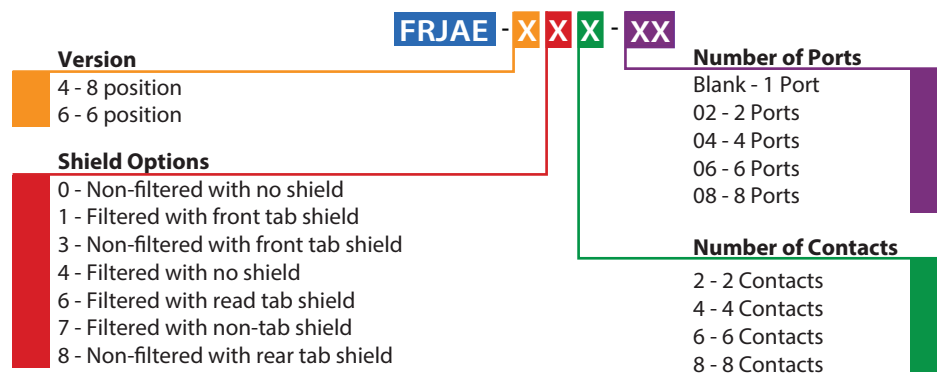
Mechanical

- Mating Connector Insertion Force:** 5 lbs. maximum
- Durability:** 20 lbs. minimum
- Recommended Soldering Temperature:** 750 mating and unmating cycles
IR Reflow peaked at 260°C for 5 to 8 seconds
(IR reflow not recommended for connectors with LEDs)
-55°C to +85°C
- Operating Temperature:**
- UL File #:** E135615
- CSA File #:** LR68598

Impedance Characteristics



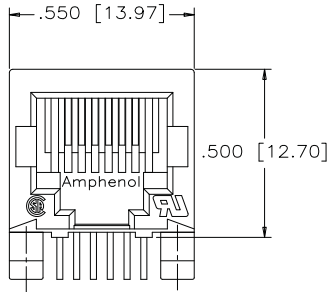
Ordering Information



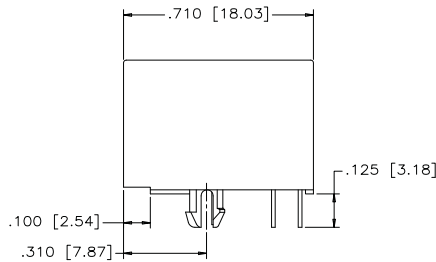
Didn't find what you were looking for?
Please contact sales@amphenolcanada.com and let us know what you need.

Single Port Non-Shielded

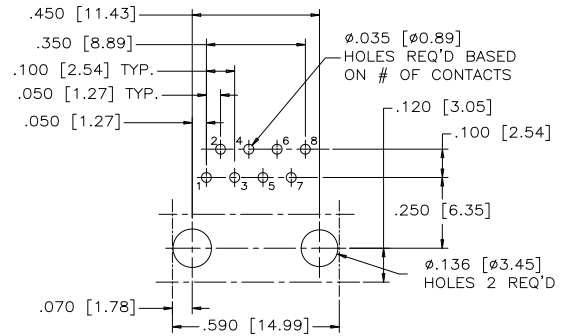
FRJAE-408



FRONT VIEW



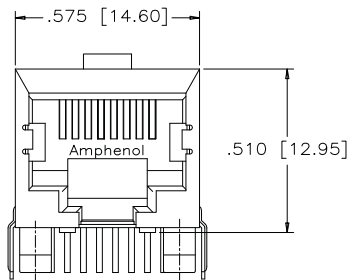
SIDE VIEW



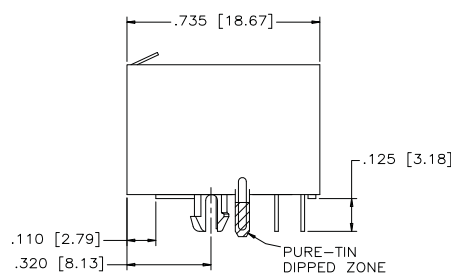
RECOMMENDED PCB LAYOUT

Shielded

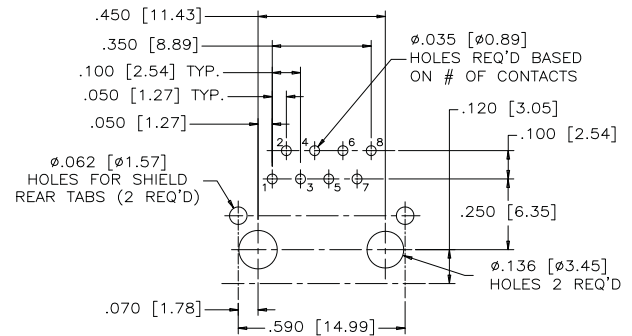
FRJAE-438



FRONT VIEW



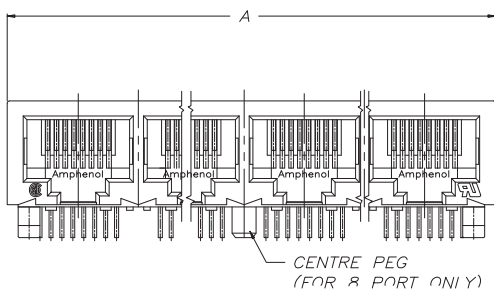
SIDE VIEW



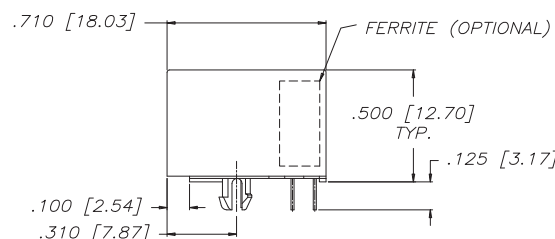
RECOMMENDED PCB LAYOUT

Multi Port Non-Shielded

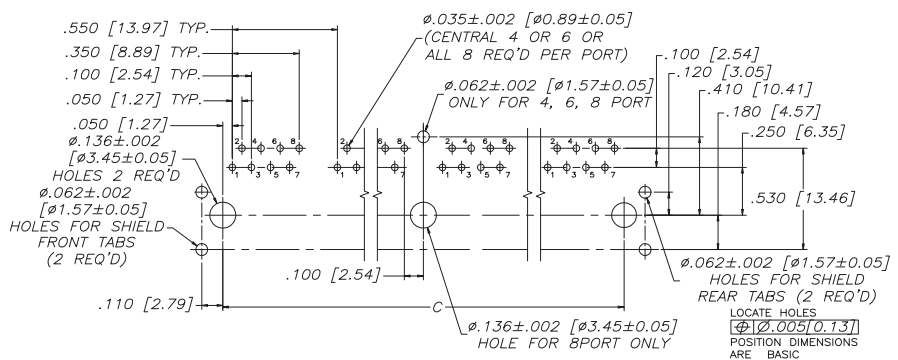
FRJAE-4X8-0X



FRONT VIEW



SIDE VIEW

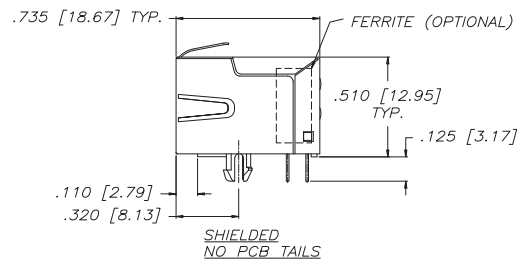
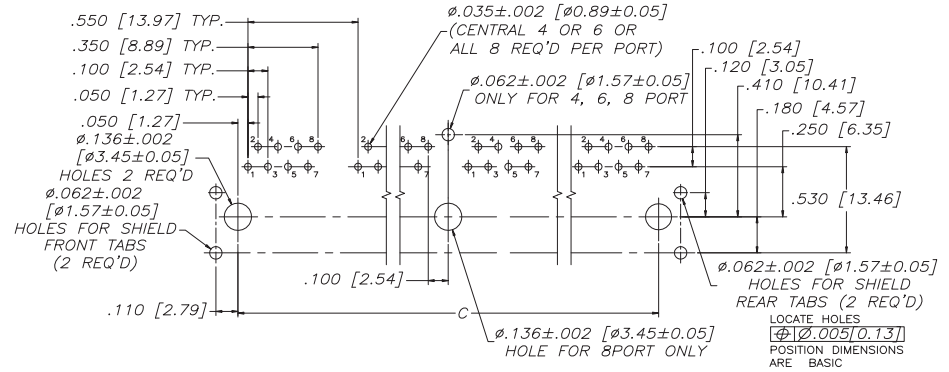
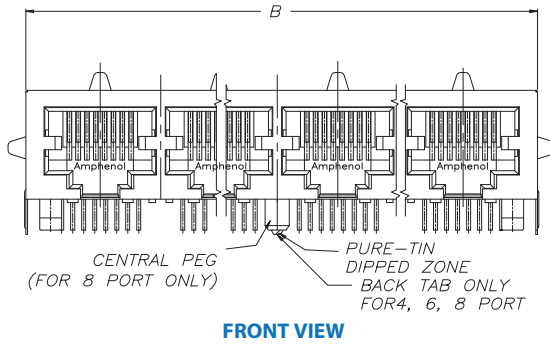


RECOMMENDED PCB LAYOUT

Number of Ports	A	C
2	1.200 [30.48]	1.000 [25.40]
4	2.300 [58.42]	2.100 [53.34]
6	3.400 [86.36]	3.200 [81.28]
8	4.500 [114.30]	4.300 [109.22]

Multi Port Shielded

FRJAE-418-0X



Number of ports	B	C
2	1.230 [31.24]	1.000 [25.40]
4	2.330 [59.18]	2.100 [53.34]
6	3.430 [87.12]	3.200 [81.28]
8	4.530 [115.06]	4.300 [109.22]

SIDE VIEW

RECOMMENDED PCB LAYOUT

Notes

RJ45 Surface Mount with LEDs

The RJCSE is a right angle surface mount connector with built-in LEDs, available with or without shielding. Shielding available for increased EMI performance and built-in LEDs for link activity and network verification. This product is ideal for LAN applications such as adapter cards and routers.



Specifications

Material

Insulator:	High temperature engineering thermoplastic; Complies with UL 94V-0, Black color
Contacts:	Phosphor Bronze hard temper with gold thickness options (15µ", 50µ") Over 50µ" minimum nickel on contact mating area, Gold flash over nickel on soldering tail
Shield:	Copper alloy with nickel plating
LED:	Tin plating on LED tails. Epoxy lens.

LED Reverse Voltage:	5 Volts minimum
LED Light Intensity:	0.4 to 1.5 mCd minimum (at If = 2mA) for single colors 0.5 mCd minimum (at If = 2mA) for bi-colors
LED Wave Length:	Yellow: 587± 7 nm measured at 20mA Green: 565 ± 6 nm measured at 20mA Red: 625 ± 5 nm measured at 20mA

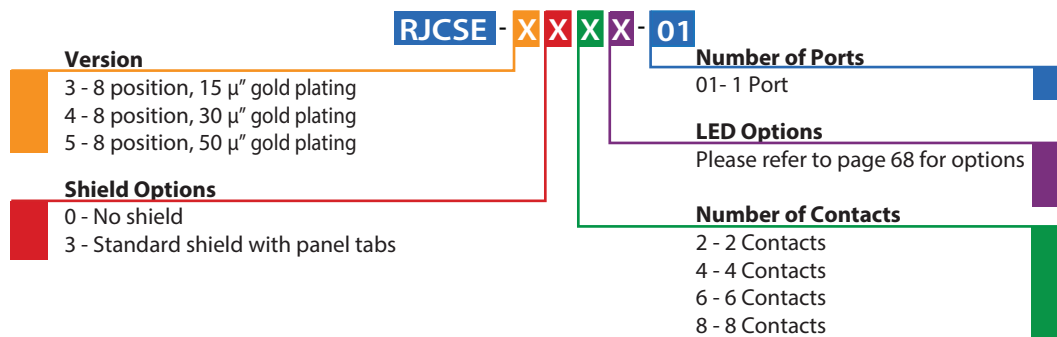
Electrical

Contact Resistance:	20 mΩ maximum
Insulation Resistance:	500 MΩ minimum at 500V DC for 2 mins. max.
Current Rating:	1.5 Amps
Voltage Rating:	125 Volts AC
DWV:	1000 VAC, 60 Hz. 1 minute
LED Forward DC Current:	20 mA typical
LED Forward Voltage:	1.9 Volts maximum (at If=2mA) for single colors 1.6 Volts maximum (at If = 2mA) for bi-colors

Mechanical

Mating Connector Insertion Force:	5 lbs. maximum
Durability:	20 lbs. minimum
Recommended Soldering Temperature:	750 mating and unmating cycles 260°C for 5 seconds maximum (connectors without LEDs are suitable for IR reflow)
Operating Temperature:	-55°C to + 85°C
UL File #:	E135615
CSA File #:	LR685398

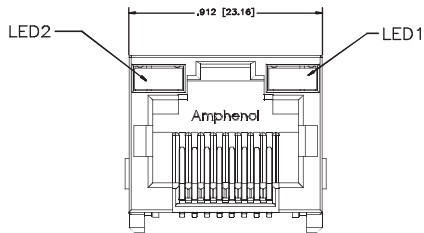
Ordering Information



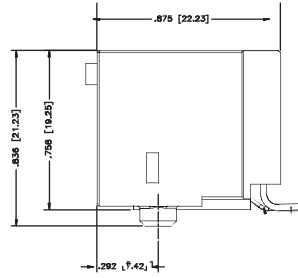
Didn't find what you were looking for?
Please contact sales@amphenolcanada.com and let us know what you need.

Single Port Non-Shielded

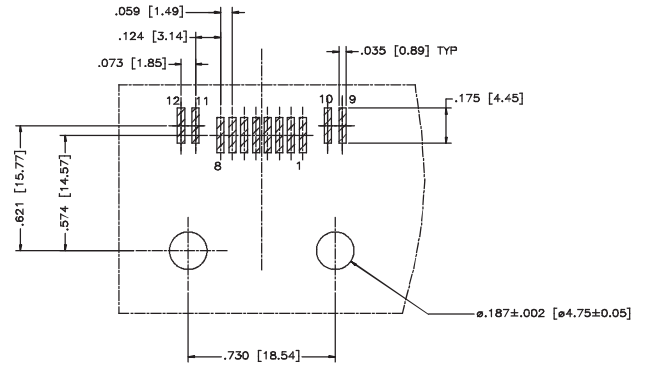
RJCSE-508X-01



FRONT VIEW



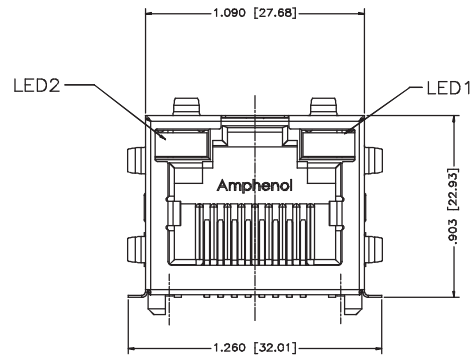
SIDE VIEW



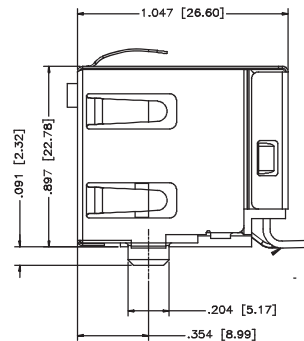
RECOMMENDED PCB LAYOUT

Shielded

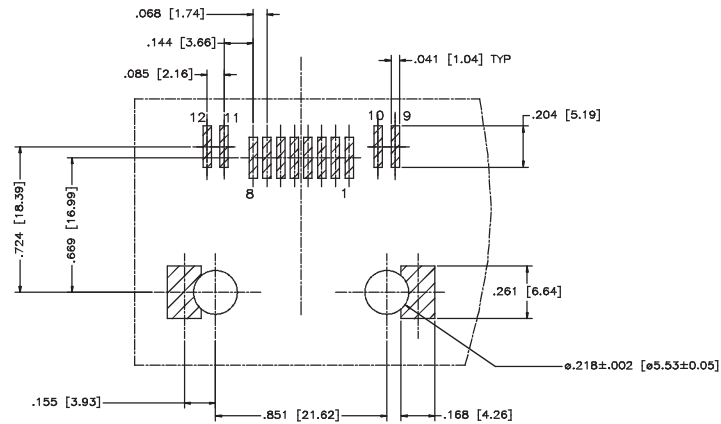
RJCSE-538X-01



FRONT VIEW



SIDE VIEW



RECOMMENDED PCB LAYOUT

Notes

Surface Mount Ultra Low Profile

The RJLSE series are surface mount modular jacks with superior EMI performance that support Ethernet Protocols. This low profile connector is built to meet your high volume RJ requirements. This series is a true pick and place compatible SMT connector and is available with different shielding, number of contacts, gold plating thickness, and colour options. Built with high temperature engineering thermoplastic and suitable for IR reflow solder process.



Specifications

Material

- Insulator:** High temperature engineering thermoplastic; Complies with UL 94V-0, Available: black, yellow, red
- Contacts:** Phosphor Bronze
Gold plating on mating surfaces over 50µ" (1.27 microns) minimum nickel underplate. 100µ" (2.54 microns) minimum matte tin on contact tails.
- Plating:** Over 50µ" minimum nickel on contact mating area, 100µ" minimum matte tin plating on soldering tail
- Shield:** Copper alloy; nickel or matte tin plated
- Coplanarity:** Maximum gap between all terminal tails is 0.004"

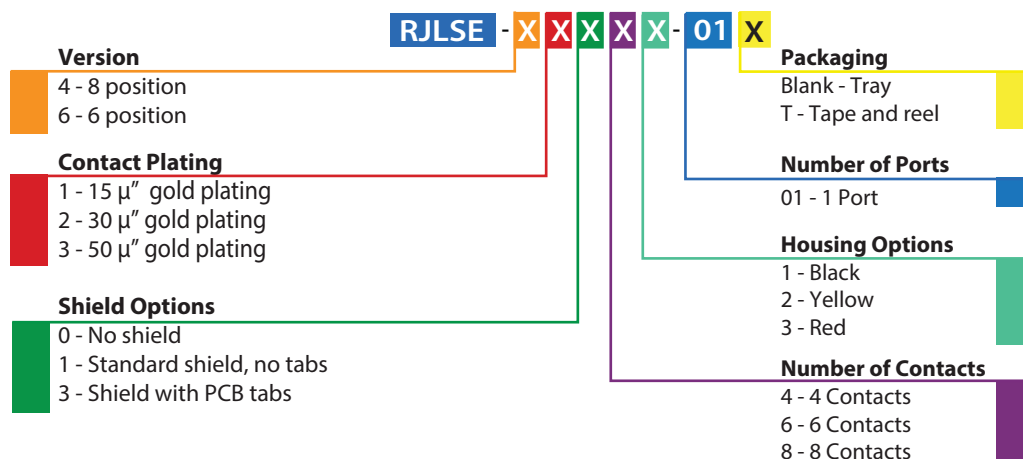
Mechanical

- Mating Connector Insertion Force:** 5 lbs. maximum
- Durability:** 20 lbs. minimum
- Recommended Soldering Temperature:** 750 mating and unmating cycles
260°C for 5 seconds maximum (connectors without LEDs are suitable for IR reflow)
- Operating Temperature:** -55°C to + 85°C
- UL File #:** E135615
- CSA File #:** LR685398

Electrical

- Contact Resistance:** 20 mΩ maximum
- Insulation Resistance:** 500 MΩ minimum at 500V DC for 2 mins. max.
- Current Rating:** 1.5 Amps
- Voltage Rating:** 125 Volts AC
- DWV:** 1000 VAC, 60 Hz. 1 minute

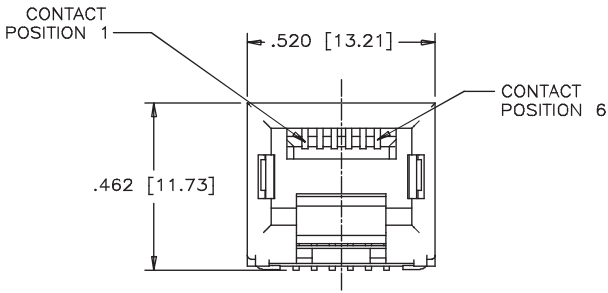
Ordering Information



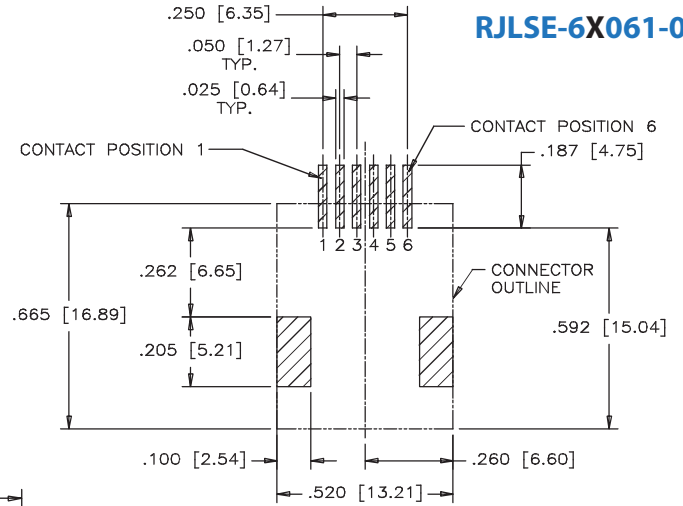
Didn't find what you were looking for?
Please contact sales@amphenolcanada.com and let us know what you need.

Single Port Non-Shielded

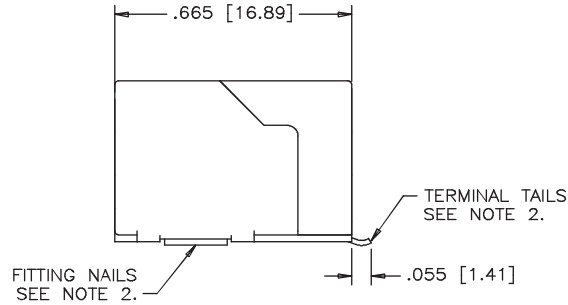
RJLSE-6X061-01



FRONT VIEW



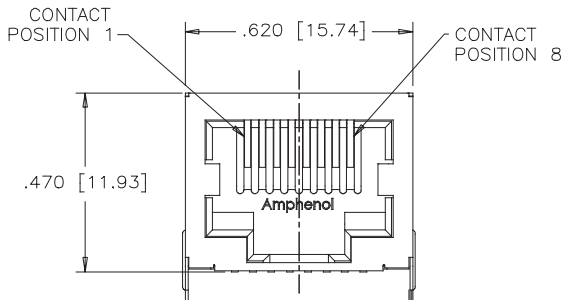
RECOMMENDED PCB LAYOUT



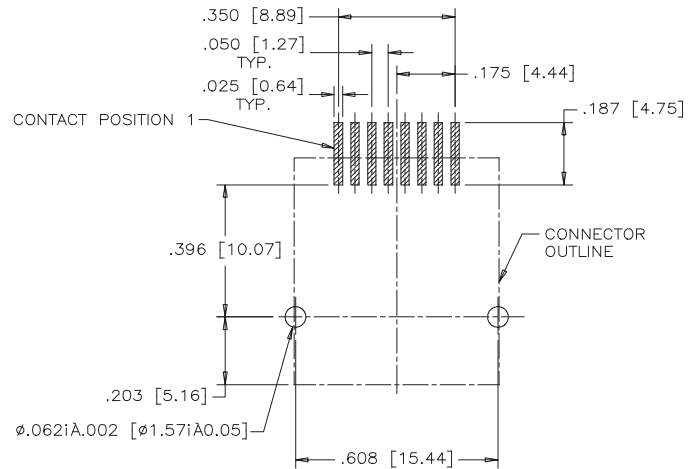
SIDE VIEW

Shielded

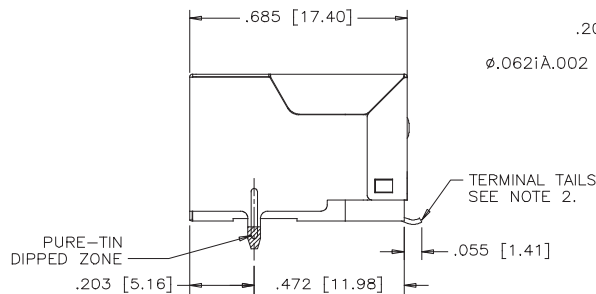
RJLSE-4X381-01



FRONT VIEW



RECOMMENDED PCB LAYOUT



SIDE VIEW

RJ45 and RJ11 Standard Profile

The family of EMI quiet modular jack connectors with integrated LEDs, features the same data transfer capabilities as our existing series of LED-integrated modular jacks. This product is an economical solution ideal for LAN applications and is intended for use with low temperature soldering processes. Shielded and non-shielded versions are available with a variety of LED options to choose from. RJESE is offered in both single and multi-port configurations.



Specifications

Material

Insulator:	High temperature engineering thermoplastic; Complies with UL 94V-0, Black color
Contacts:	Phosphor Bronze hard temper with gold thickness options (6µ", 15µ", 30µ", 50µ") Over 50µ" minimum nickel on contact mating area, 100µ" minimum matte tin plating on soldering tail
Shield:	Stainless steel with tin dipped tails
LED:	Tin plating on LED tails

LED Forward Voltage:	1.9 Volts maximum (at If=2mA) for single colors 2.6 Vols maximum (at If = 2mA) for bi-colors
LED Reverse Voltage:	5 Volts minimum
LED Light Intensity:	0.4 to 1.5 mCd minimum (at If = 2mA) for single colors
LED Wave Length:	0.5 mCd minimum (at If = 2mA) for bi-colors Yellow: 587± 7 nm measured at 20mA Green: 565 ± 6 nm measured at 20mA Red: 625 ± 5 nm measured at 20mA

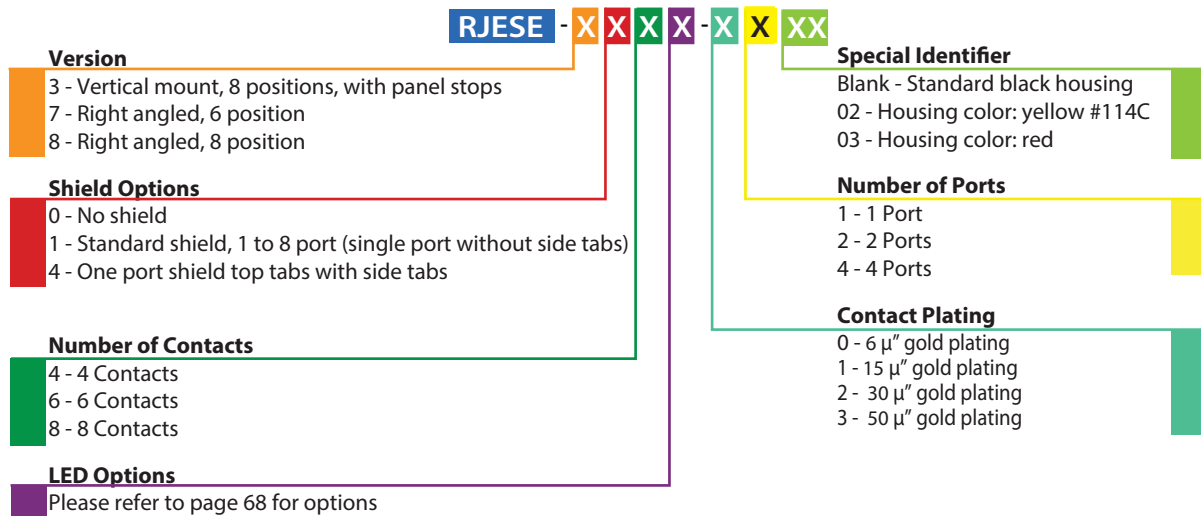
Electrical

Contact Resistance:	20 mΩ maximum
Insulation Resistance:	500 MΩ minimum at 500V DC for 2 mins. max.
Current Rating:	1.5 Amps
Voltage Rating:	125 Volts AC
DWV:	1000 VAC, 60 Hz. 1 minute
LED Forward DC Current:	20 mA typical

Mechanical

Mating Connector Insertion Force:	5 lbs. maximum 20 lbs. minimum
Durability:	750 mating and unmating cycles
Recommended Soldering Temperature:	260°C for 5 seconds maximum (connectors without LEDs are suitable for IR reflow)
Operating Temperature:	-55°C to + 85°C

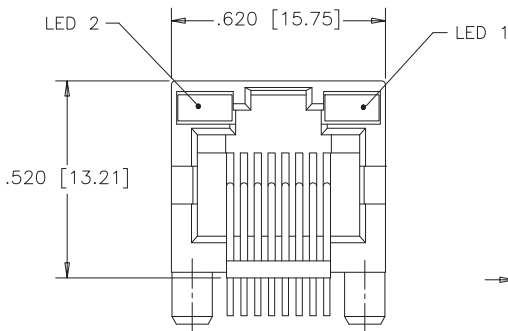
Ordering Information



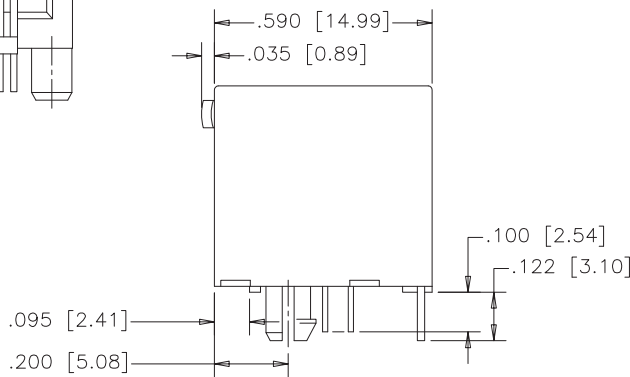
Didn't find what you were looking for?
Please contact sales@amphenolcanada.com and let us know what you need.

Single Port Non-Shielded

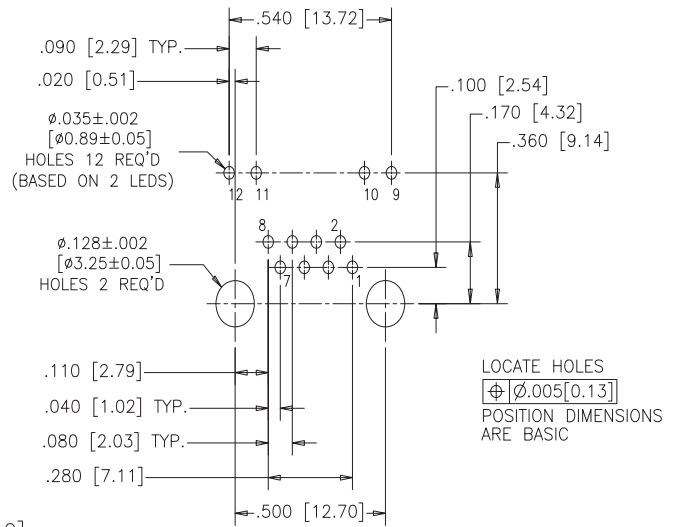
RJESE-808X-X1



FRONT VIEW



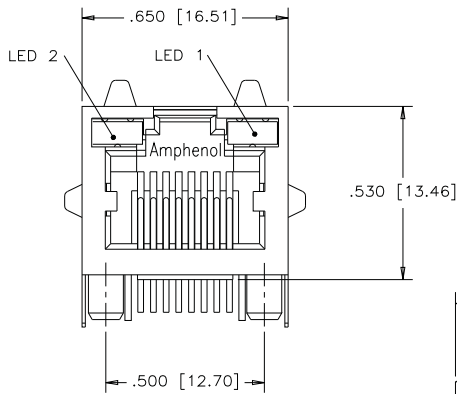
SIDE VIEW



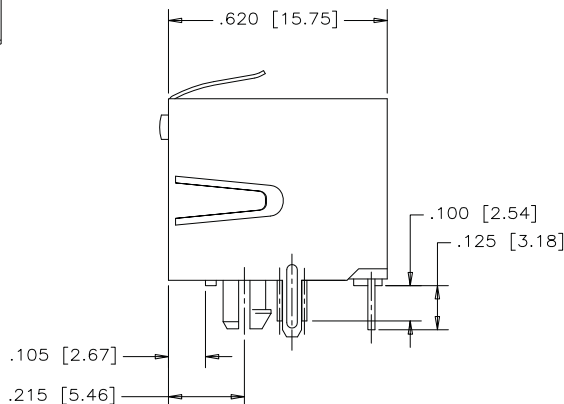
RECOMMENDED PCB LAYOUT

Shielded

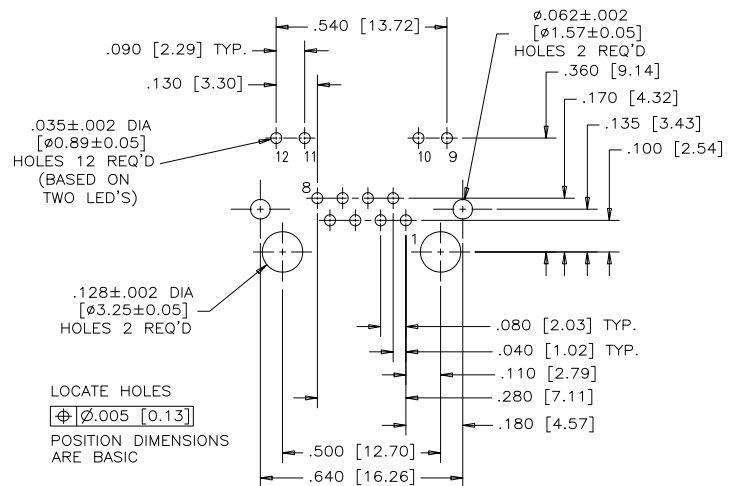
RJESE-848X-X1



FRONT VIEW



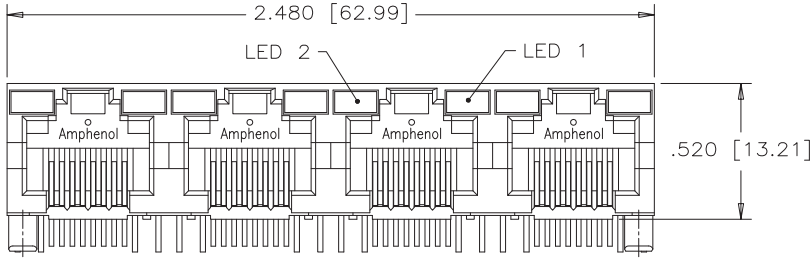
SIDE VIEW



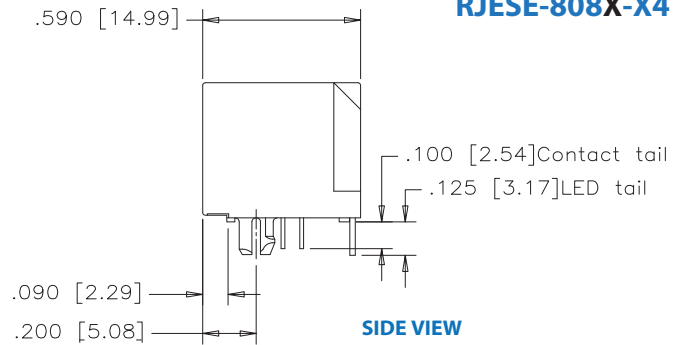
RECOMMENDED PCB LAYOUT

Multi Port Non-Shielded

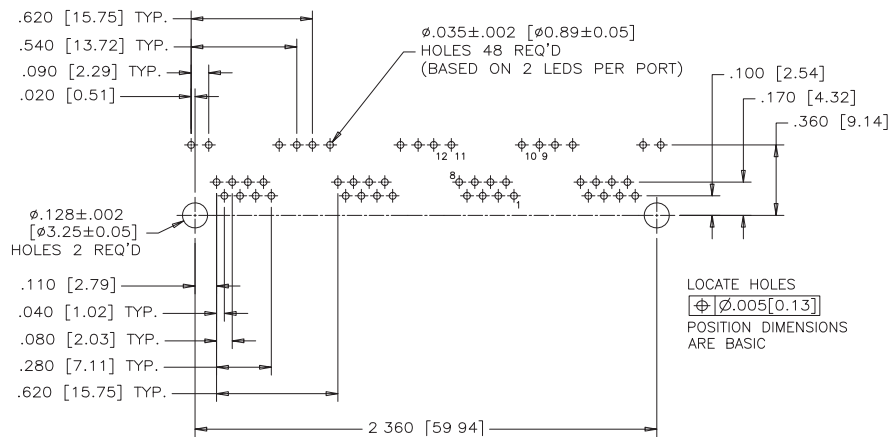
RJESE-808X-X4



FRONT VIEW



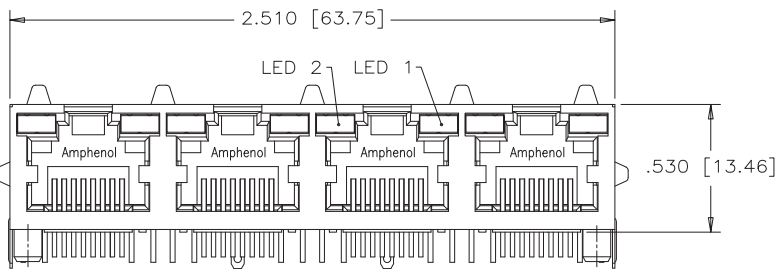
SIDE VIEW



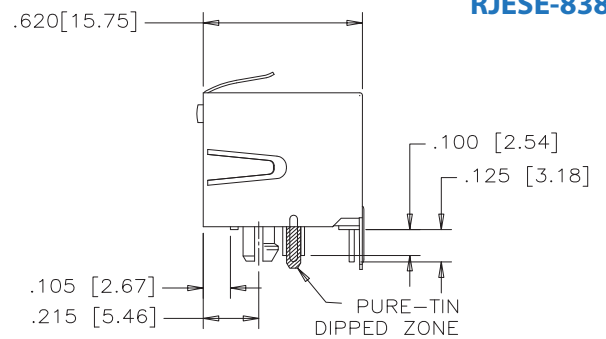
RECOMMENDED PCB LAYOUT

Multi Port Shielded

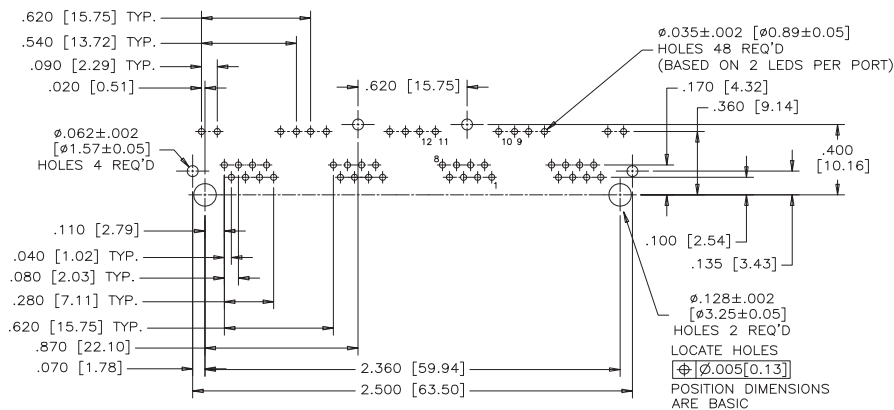
RJESE-838X-X4



FRONT VIEW



SIDE VIEW



RECOMMENDED PCB LAYOUT

RJE01

RJ11 (SIX POSITION)

RJ11 (Six Position)

The RJE01 series of 6-position jacks are designed for superior EMI performance. The inverted connector provides shorter leads, eliminating the EMI antenna effect of the standard connector footprint. Typical performance improvement over their standard connector counterparts is 5-10 dB over the frequency range.



Specifications

Material

Insulator:	High temperature engineering thermoplastic; Complies with UL 94V-0, Black colour
Contacts:	Phosphor Bronze hard temper with gold thickness options (6µ", 15µ", 30µ", 50µ") Over 50µ" minimum nickel on contact mating area, 100µ" minimum matte tin plating on soldering tail
Shield:	Stainless Steel with tin dipped tails

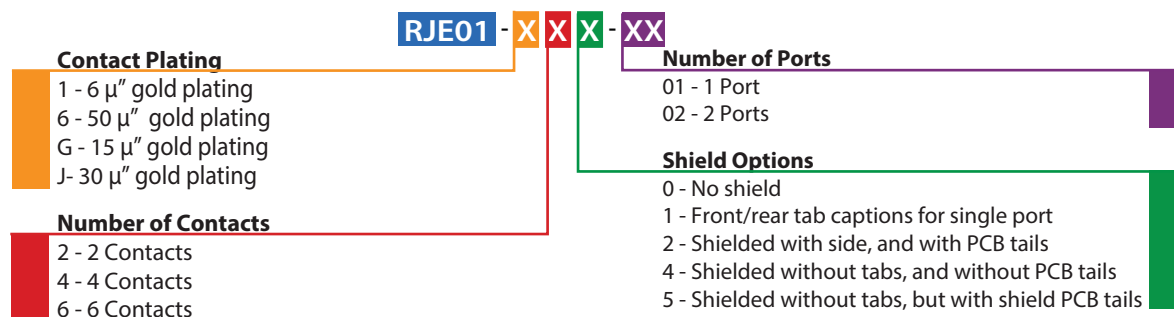
Mechanical

Mating Connector Insertion Force:	5 lbs. maximum
Mating Connection Retention Force:	20 lbs. minimum
Durability:	750 mating and unmating cycles
Recommended Soldering	260°C for 5 seconds maximum
Operating Temperature:	-55°C to + 85°C
UL File #:	E135615
CSA File #:	LR685398

Electrical

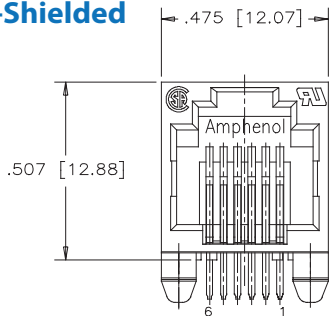
Contact Resistance:	20 mΩ maximum
Insulation Resistance:	500 MΩ minimum at 500V DC for 2 mins.
Current Rating:	max.
Voltage Rating:	125 Volts AC
DWV:	1000 VAC, 60 Hz. 1 minute

Ordering Information

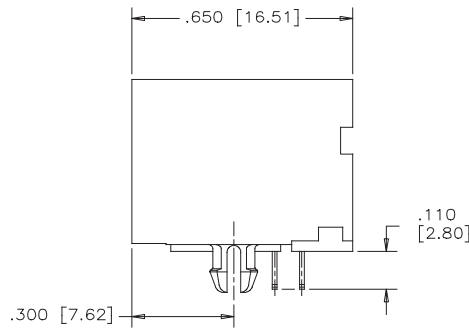


Didn't find what you were looking for?
Please contact sales@amphenolcanada.com and let us know what you need.

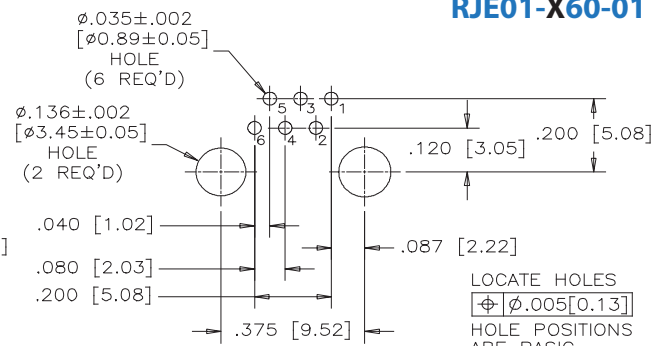
Single Port Non-Shielded



FRONT VIEW



SIDE VIEW

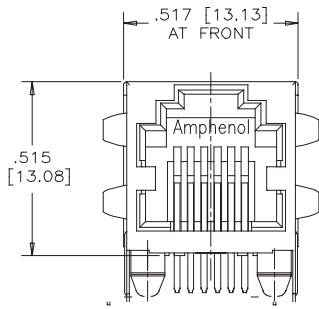


RECOMMENDED PCB LAYOUT

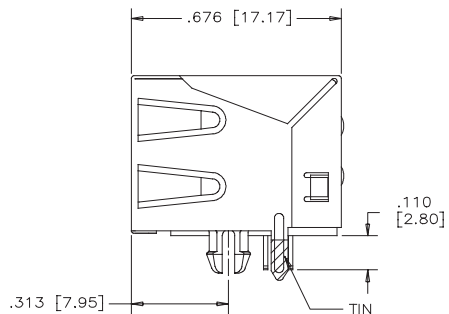
RJE01-X60-01

LOCATE HOLES
 $\phi .005 [0.13]$
 HOLE POSITIONS
 ARE BASIC

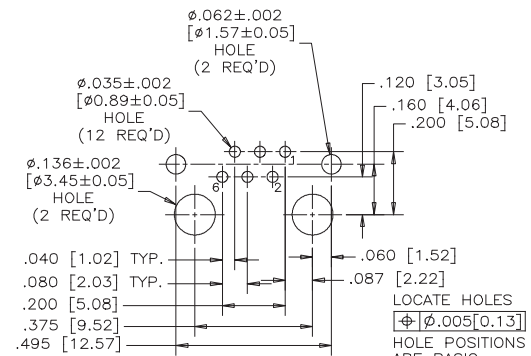
Shielded



FRONT VIEW



SIDE VIEW

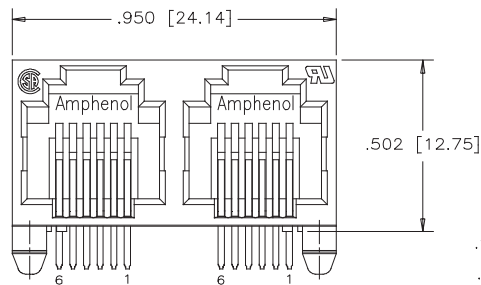


RECOMMENDED PCB LAYOUT

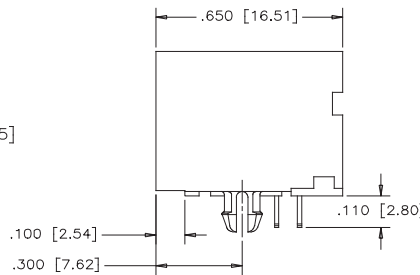
RJE01-X62-01

LOCATE HOLES
 $\phi .005 [0.13]$
 HOLE POSITIONS
 ARE BASIC

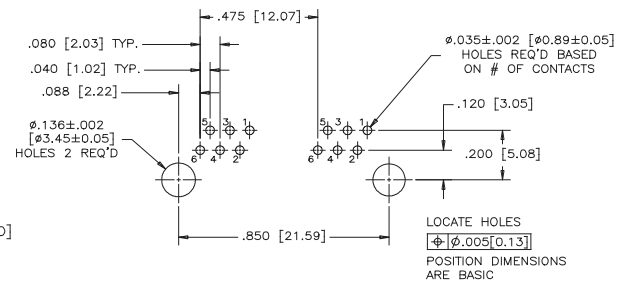
Multi Port Non-Shielded



FRONT VIEW



SIDE VIEW

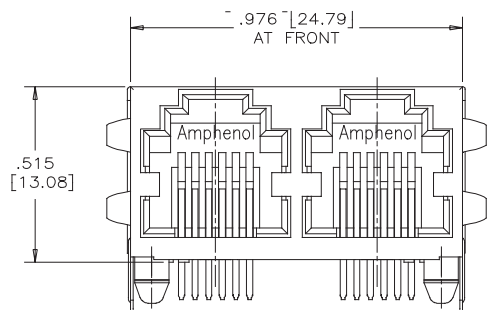


RECOMMENDED PCB LAYOUT

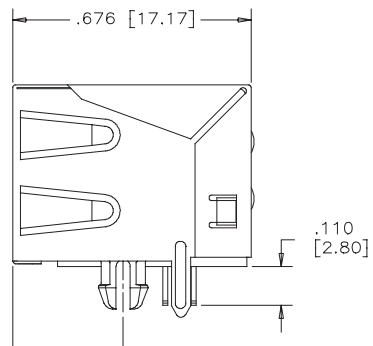
RJE01-X60-02

LOCATE HOLES
 $\phi .005 [0.13]$
 POSITION DIMENSIONS
 ARE BASIC

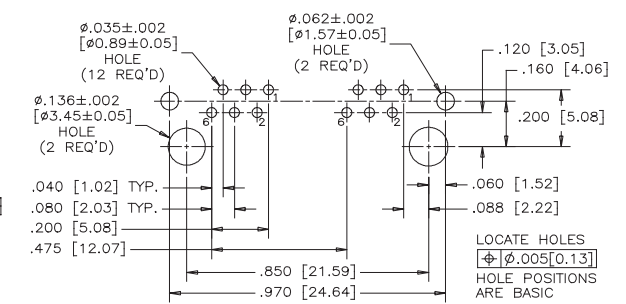
Shielded



FRONT VIEW



SIDE VIEW



RECOMMENDED PCB LAYOUT

RJE01-X62-02

LOCATE HOLES
 $\phi .005 [0.13]$
 HOLE POSITIONS
 ARE BASIC

RJE02

SINGLE PORT HIGH PROFILE

Single Port, High Profile

RJE02 series is a group of products within a family of standard modular jacks designed to meet requirements for a variety of applications. Options within the RJE02 family include options with and without a panel stop, and RJ11 and RJ45 configurations.



Specifications

Material

- Insulator:** High temperature engineering thermoplastic. Complies with UL 94V-0, Black.
- Contacts:** Phosphor Bronze hard temper with gold thickness options (6µ", 15µ", 30µ", 50µ")
Over 50µ" minimum nickel on contact mating area, 100µ" minimum matte tin plating on soldering tail

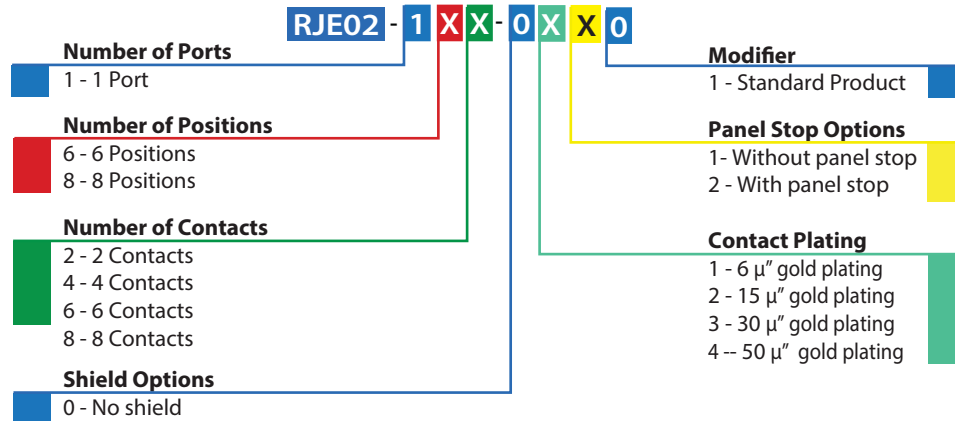
Mechanical

- Mating Connector Insertion Force:** 5 lbs. maximum
- Durability:** 20 lbs. minimum
- Recommended Soldering Temperature:** 750 mating and unmating cycles
- Operating Temperature:** 260°C for 5 seconds maximum
-40°C to +85°C

Electrical

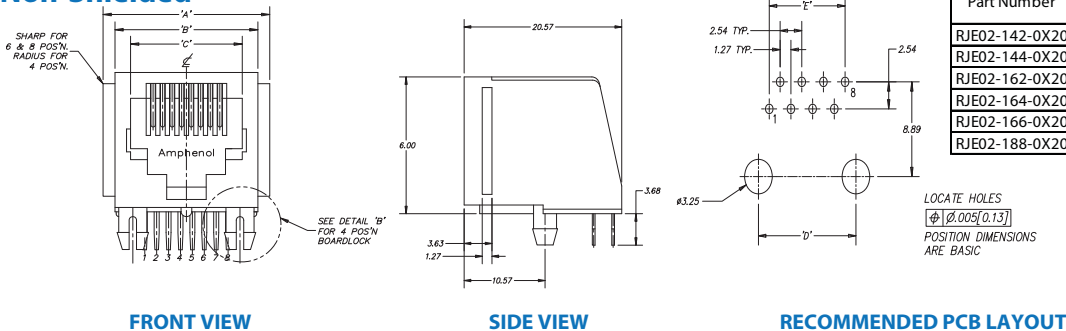
- Contact Resistance:** 20 mΩ maximum
- Insulation Resistance:** 500 MΩ minimum at 500V DC for 2 mins.
- Current Rating:** max.
- Voltage Rating:** 125 Volts AC
- DWV:** 1000 VAC, 60 Hz. 1 minute

Ordering Information



Didn't find what you were looking for?
Please contact sales@amphenolcanada.com and let us know what you need.

Single Port Non-Shielded

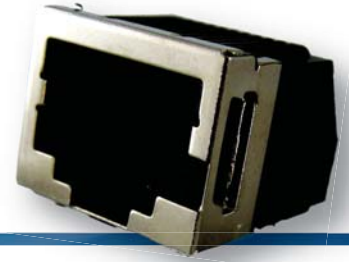


RJE02-1XX-0X20

Part Number	No. of Positions	No. of Contacts	Dimensions					Quantity per tray	Quantity per carton
			A	B	C	D	E		
RJE02-142-0X20	4	2	13.72	11.18	7.85	7.62	1.27	120	2160
RJE02-144-0X20	4	4	13.72	11.18	7.85	7.62	3.81	120	2160
RJE02-162-0X20	6	2	15.75	13.21	9.88	10.16	1.27	120	2160
RJE02-164-0X20	6	4	15.75	13.21	9.88	10.16	3.81	120	2160
RJE02-166-0X20	6	6	15.75	13.21	9.88	10.16	3.81	120	2160
RJE02-188-0X20	8	8	17.78	15.24	11.91	11.43	8.89	100	1800

Single Port, Low Profile

RE03 series is a group of products within a family of standard modular jacks designed to meet requirements for a variety of applications. Options within the RJE03 family include shielded and non-shielded, and RJ11 & RJ45 configurations.



Specifications

Material

Insulator:	High temperature engineering thermoplastic; Complies with UL 94V-0, Black color
Contacts:	Phosphor Bronze hard temper with gold thickness options (6µ", 15µ", 30µ", 50µ") Over 50µ" minimum nickel on contact mating area, 100µ" minimum matte tin plating on soldering tail
Shield:	Copper alloy; nickel plated with tin dipped tail

Mechanical

Mating Connector Insertion Force:	5 lbs. maximum
Mating Connector Pull Retention Force:	20 lbs. minimum
Durability:	750 mating and unmating cycles
Recommended Soldering Temperature:	260°C for 5 seconds maximum
Operating Temperature:	-40°C to + 85°C

Electrical

Contact Resistance:	20 mΩ maximum
Insulation Resistance:	500 MΩ minimum at 500V DC for 2 mins. max.
Current Rating:	1.5 Amps
Voltage Rating:	125 Volts AC
DWV:	1000 VAC, 60 Hz. 1 minute

Ordering Information



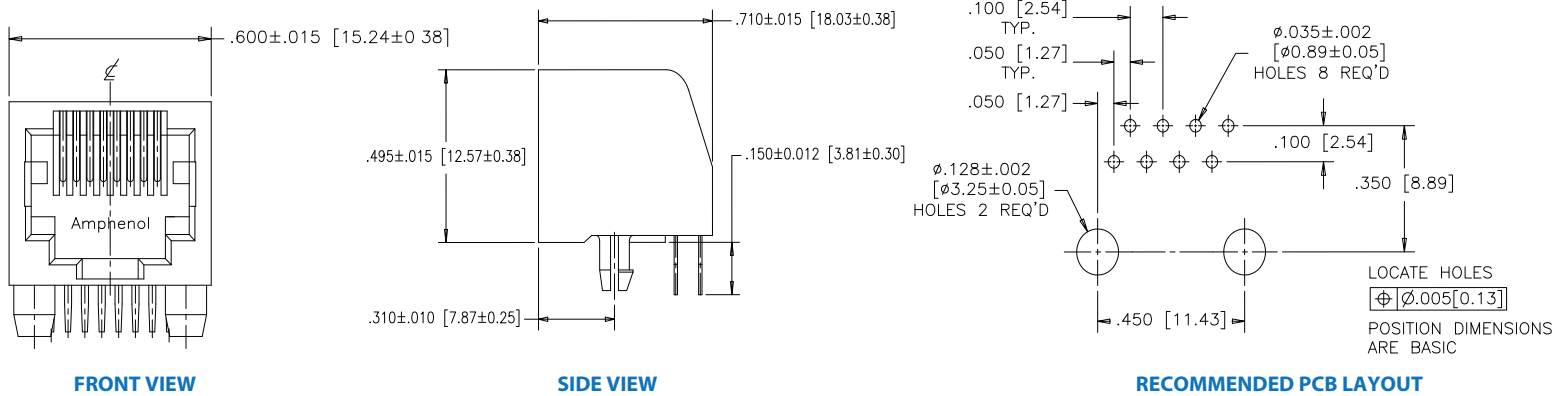
Didn't find what you were looking for?
Please contact sales@amphenolcanada.com and let us know what you need.

RJE03

SINGLE PORT LOW PROFILE

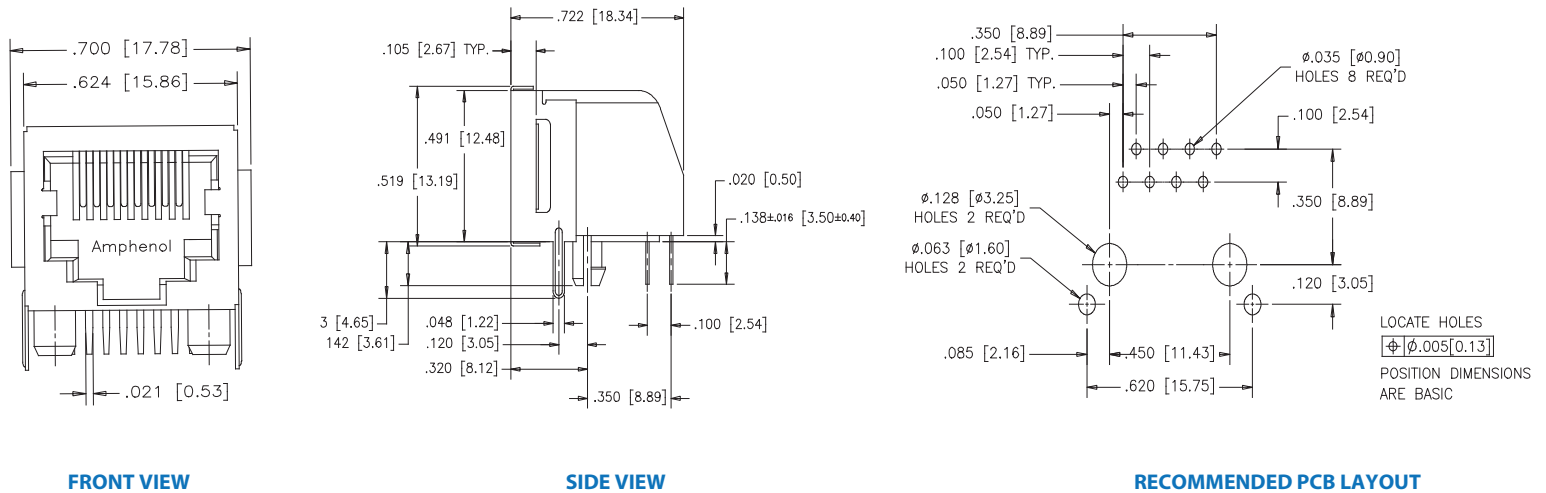
Single Port Non - Shielded

RJE03-188-0X10



Shielded with Panel Stop

RJE03-188-2X20



Notes

Ultra Low Profile

RJE05 series is a group of products within a family of standard modular jacks designed to meet requirements for a variety of applications. Options within the RJE05 family include shielded or non-shielded, and RJ11 & RJ45 configurations.



Specifications

Material

Insulator:	Engineering thermoplastic. Complies with UL 94V-0. Colour: Black
Contacts:	Phosphor Bronze hard temper with gold thickness options (6µ", 15µ", 30µ", 50µ") Over 50µ" minimum nickel on contact mating area, 100µ" minimum matte tin plating on soldering tail
Shield:	Copper alloy; nickel plated with tin dipped tail

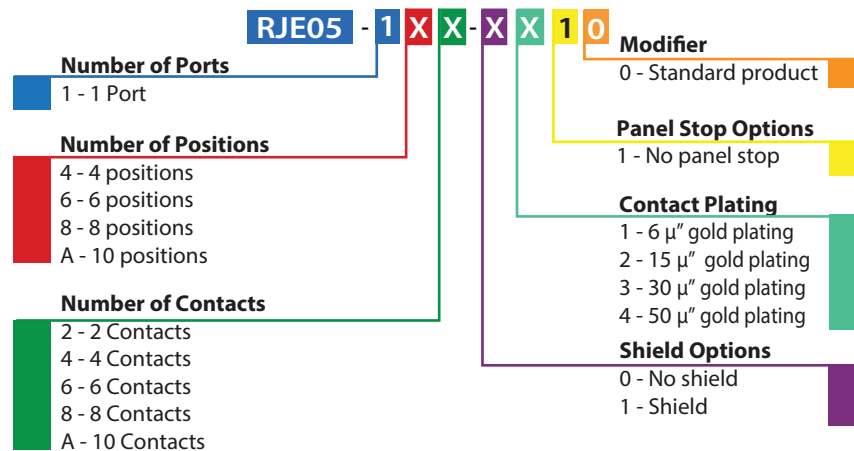
Electrical

Contact Resistance:	20 mΩ maximum
Insulation Resistance:	500 MΩ minimum at 500V DC for 2 mins. max.
Current Rating:	1.5 Amps
Voltage Rating:	125 Volts AC
DWV:	1000 VAC, 60 Hz. 1 minute

Mechanical

Mating Connector Insertion Force:	5 lbs. maximum
Mating Connector Pull Retention Force:	20 lbs. minimum
Durability:	750 mating and unmating cycles
Recommended Soldering Temperature:	Wave soldering peaked at 260°C for 5 seconds maximum (connectors made with high temperature materials are suitable for IR review)
Operating Temperature:	-40°C to + 85°C
UL File #:	E136228

Ordering Information

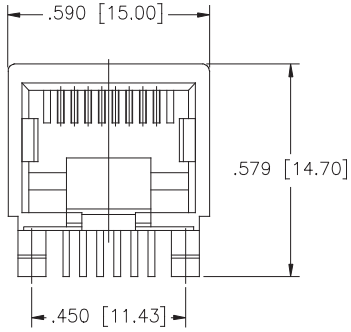


Didn't find what you were looking for?
Please contact sales@amphenolcanada.com and let us know what you need.

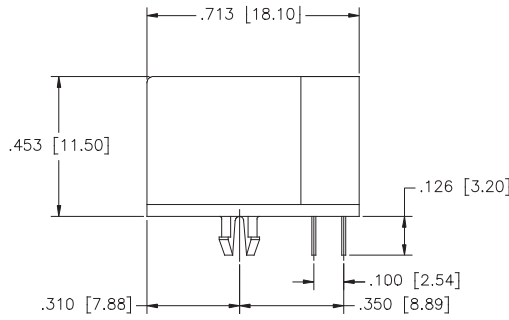
RJE05

ULTRA LOW PROFILE

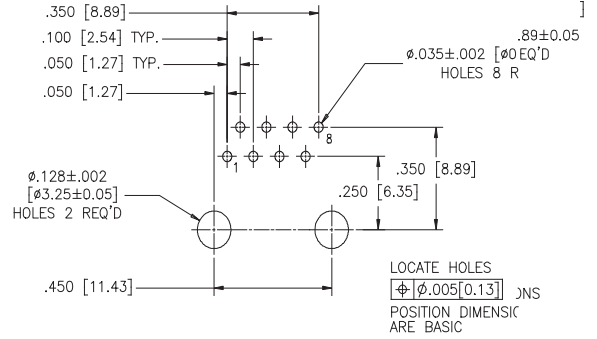
Single Port Non - Shielded



FRONT VIEW

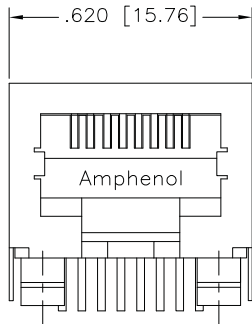


SIDE VIEW

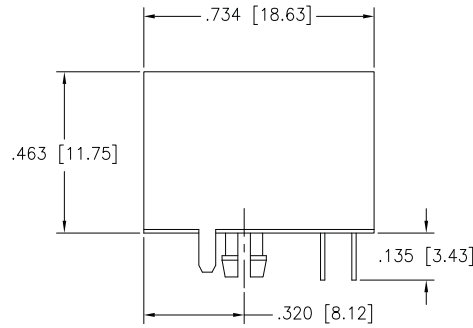


RECOMMENDED PCB LAYOUT

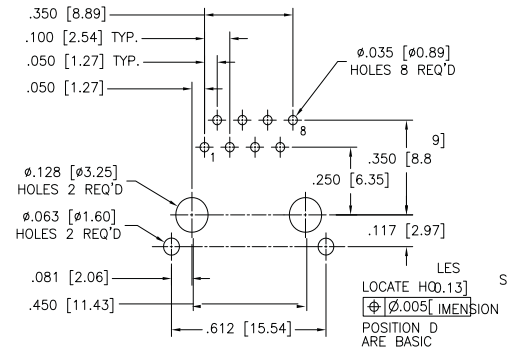
Shielded



FRONT VIEW



SIDE VIEW



RECOMMENDED PCB LAYOUT

Notes

Single Port Surface Mount

RJE07 series is a group of products within a family of standard modular jacks designed to meet requirements for a variety of applications. Options within The FRJAE series of shielded and filtered modular jacks offer low cost and effective EMC control within standard RJ11 and RJ45 connector footprints. EMC control is offered by a completely shielded connector and/or with the use of a high resistivity, high impedance ferrite block. No board layout changes are required for its use. Simply replace the standard non-filtered connector for superior EMC performance.



Specifications

Material

- Insulator:** High temperature thermoplastic. Complies with UL 94V-0. Colour: Black
- Contacts:** Phosphor Bronze hard temper with gold thickness options (6µ", 15µ", 30µ", 50µ"), over 50µ" minimum nickel on contact mating area. 100µ" minimum matte tin plating on soldering tail
- Shield:** Copper alloy; nickel plated with tin dipped tail.

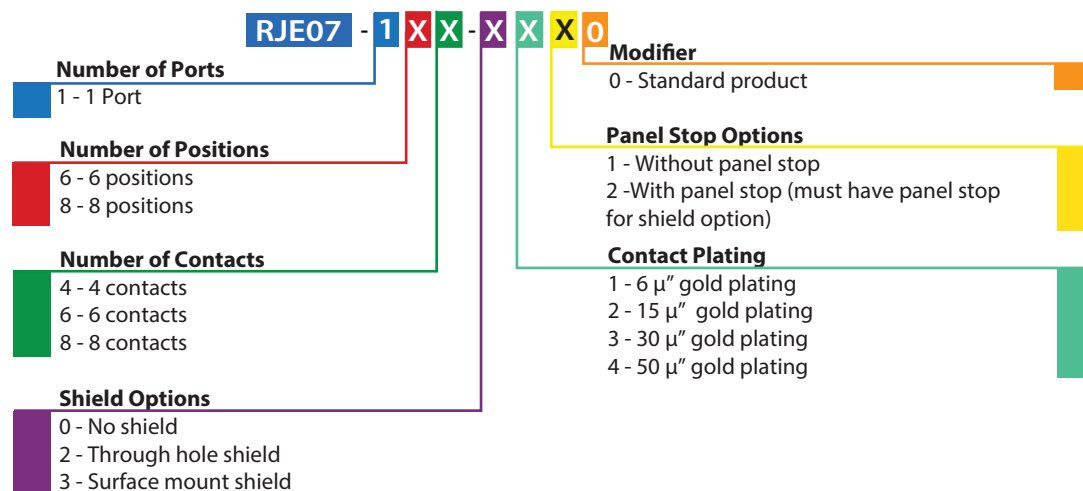
Electrical

- Contact Resistance:** 20 mΩ maximum
- Insulation Resistance:** 500 MΩ minimum at 500V DC for 2 mins. max.
- Current Rating:** 1.5 Amps
- Voltage Rating:** 125 Volts AC
- DWV:** 1000 VAC, 60 Hz. 1 minute

Mechanical

- Mating Connector Insertion Force:** 5 lbs. maximum
- Mating Connector Pull Retention Force:** 20 lbs. minimum
- Durability:** 750 mating & unmating cycles
- Recommended Soldering Temperature:** Reflow soldering at 260°C for 6 to 8 seconds maximum
- Operating Temperature:** -40°C to + 85°C

Ordering Information



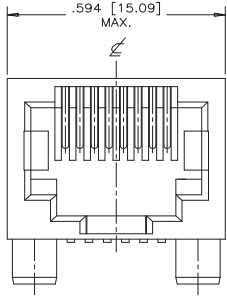
Didn't find what you were looking for?
Please contact sales@amphenolcanada.com and let us know what you need.

RJE07

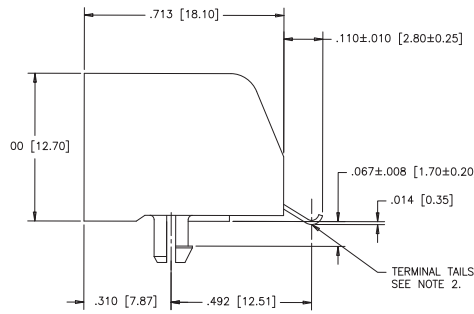
SINGLE PORT SURFACE MOUNT

Single Port Non-Shielded

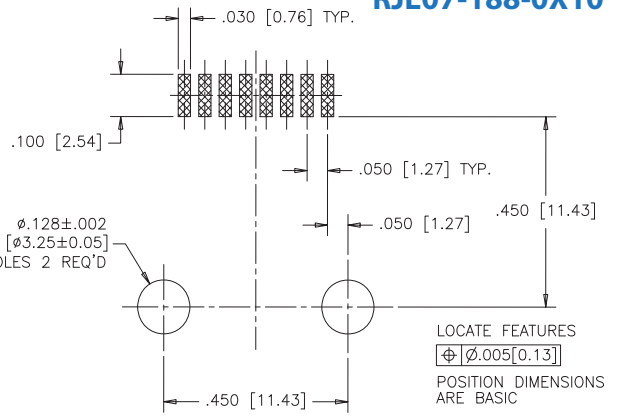
RJE07-188-0X10



FRONT VIEW



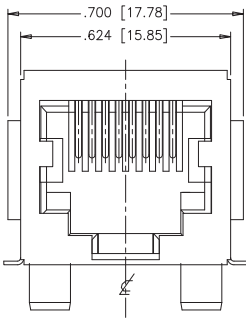
SIDE VIEW



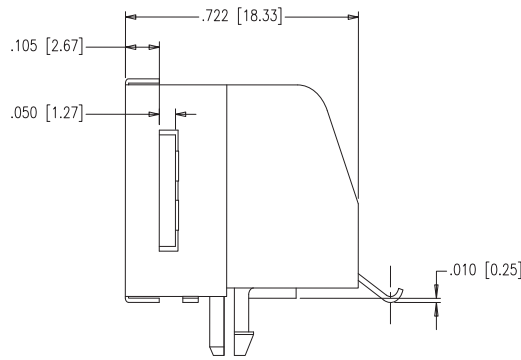
RECOMMENDED PCB LAYOUT

Surface Mount Shield

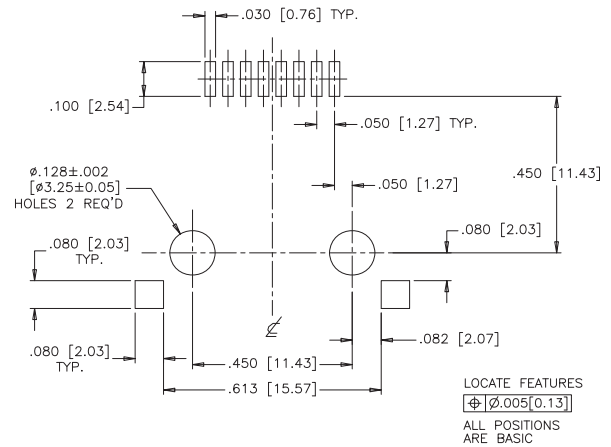
RJE07-188-3X20



FRONT VIEW



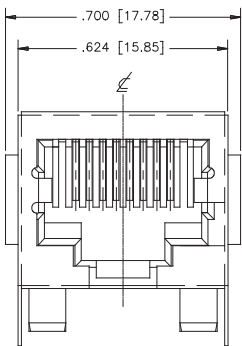
SIDE VIEW



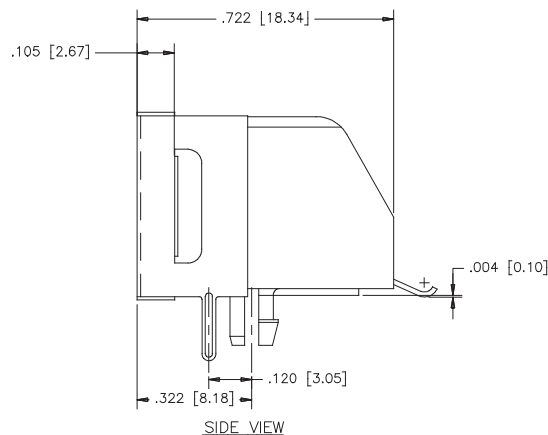
RECOMMENDED PCB LAYOUT

Through-Hold Shield

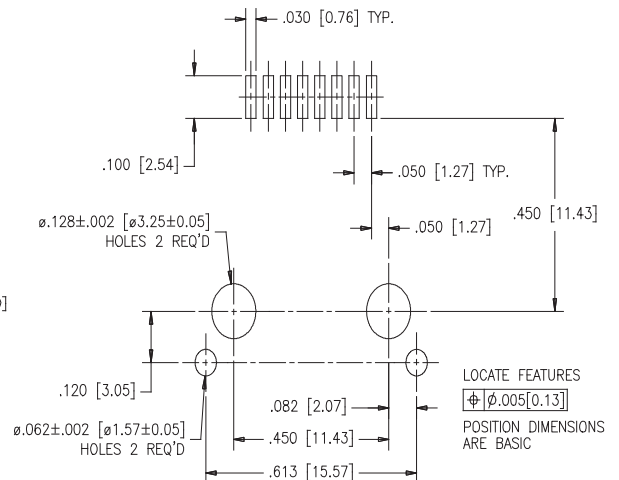
RJE07-188-2X20



FRONT VIEW



SIDE VIEW



RECOMMENDED PCB LAYOUT

Standard Profile

RJE09 series is a group of products within a family of standard modular jacks designed to meet requirements for a variety of applications. Options with the RJE09 family include shielded & non-shielded, and RJ11 & RJ45 configurations.



Specifications

Material

- Insulator:** Engineering thermoplastic. Complies with UV 94V-0. Colour: Black
- Contacts:** Phosphor Bronze hard temper with gold thickness options (6 μ ", 15 μ ", 30 μ ", 50 μ "), over 50 μ " minimum nickel on contact mating area. 100 μ " minimum matte tin or gold flash plating on tail area.
- Shield:** Copper alloy; nickel plating over all.

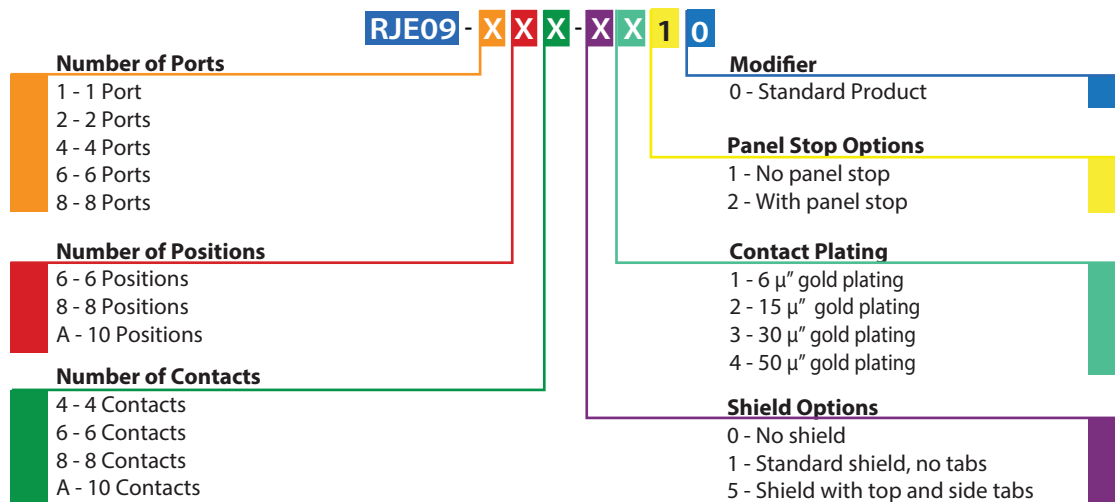
Electrical

- Contact Resistance:** 20 m Ω maximum
- Insulation Resistance:** 500 M Ω minimum at 500V DC for 2 mins. max.
- Current Rating:** 1.5 Amps
- Voltage Rating:** 125 Volts AC
- DWV:** 1000 VAC, 60 Hz. 1 minute

Mechanical

- Mating Connector Insertion Force:** 5 lbs. maximum
- Mating Connector Pull Retention Force:** 20 lbs. minimum
- Durability:** 750 mating & unmating cycles
- Recommended Soldering Temperature:** Wave soldering at 260 $^{\circ}$ C for 5 seconds maximum
- Operating Temperature:** -40 $^{\circ}$ C to + 85 $^{\circ}$ C
- UL File #:** E136228

Ordering Information

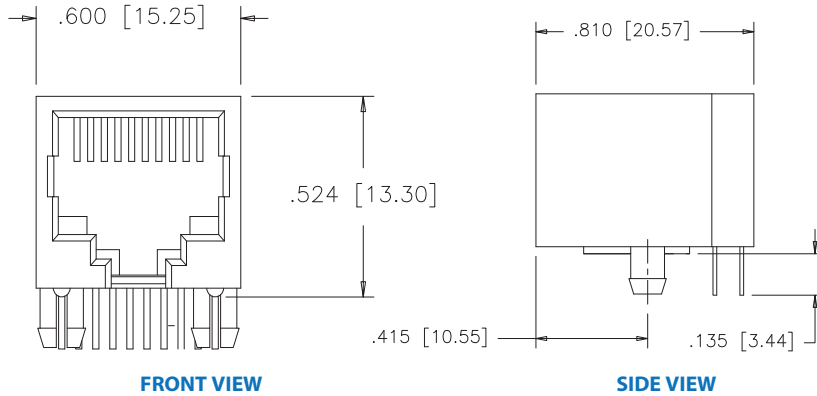


Didn't find what you were looking for?
Please contact sales@amphenolcanada.com and let us know what you need.

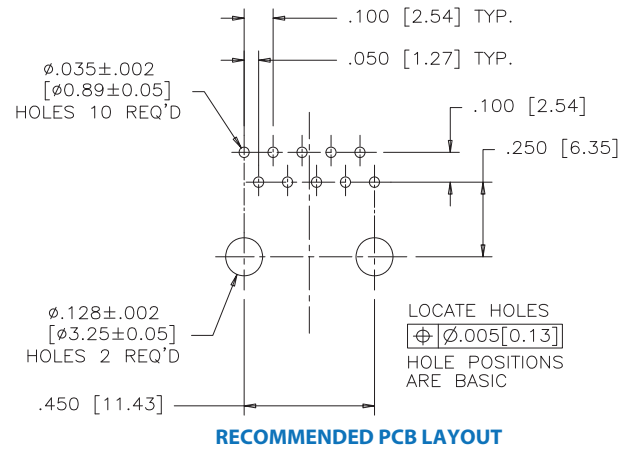
RJE09

STANDARD PROFILE

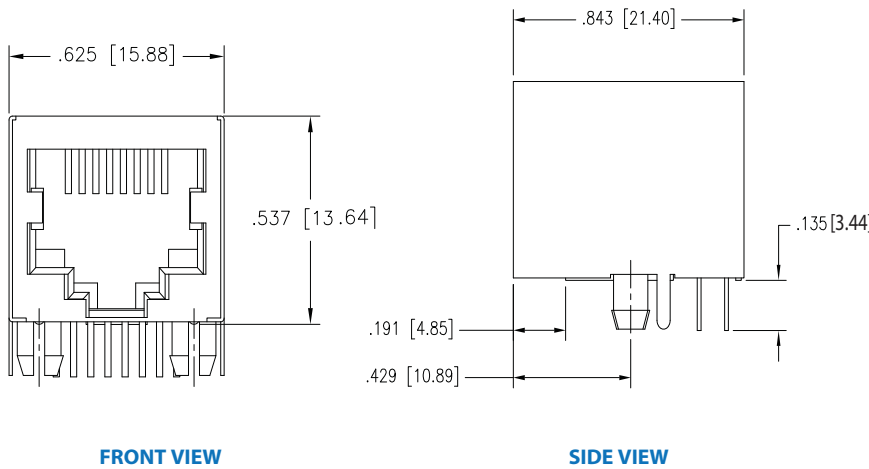
Single Port Non-Shielded



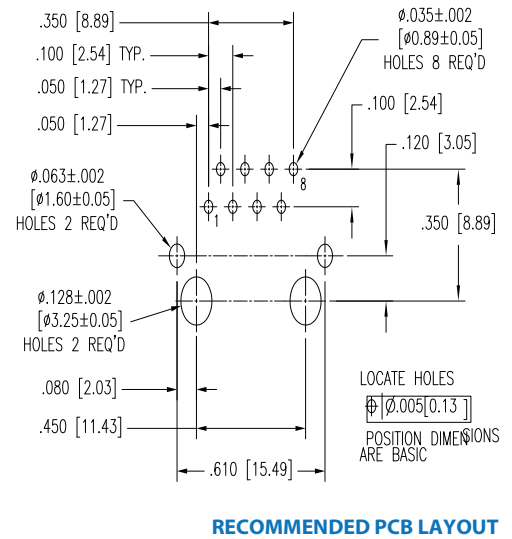
RJE09-1AA-0X10



Shielded

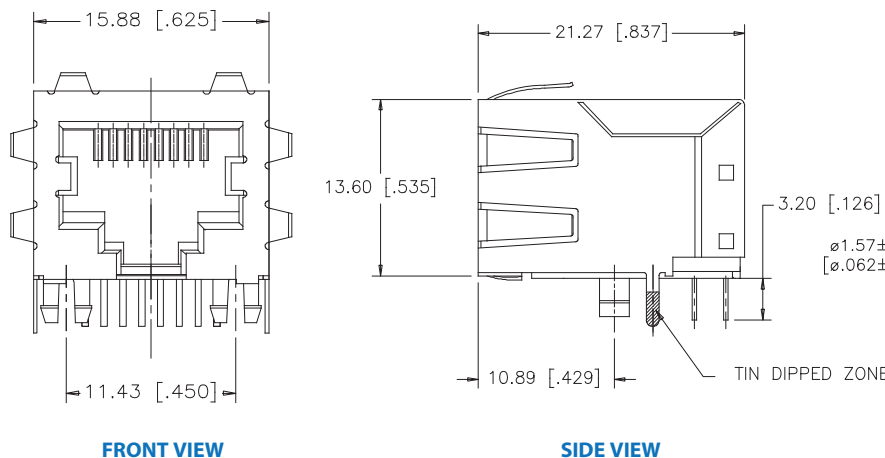


RJE09-188-1X10

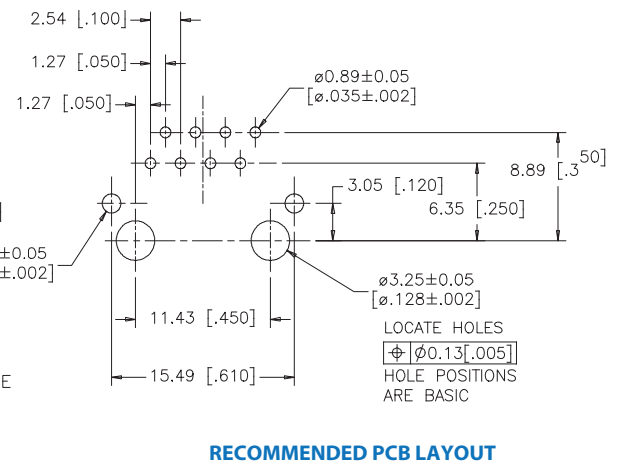


Shielded

*This drawing is in millimeters [inches]

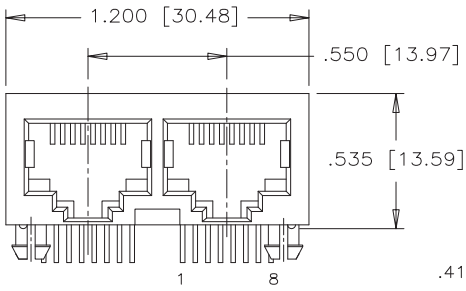


RJE09-188-5X10

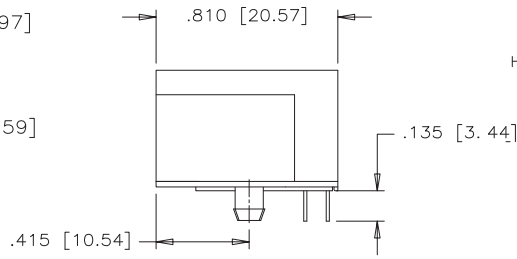


Multi Port Non - Shielded

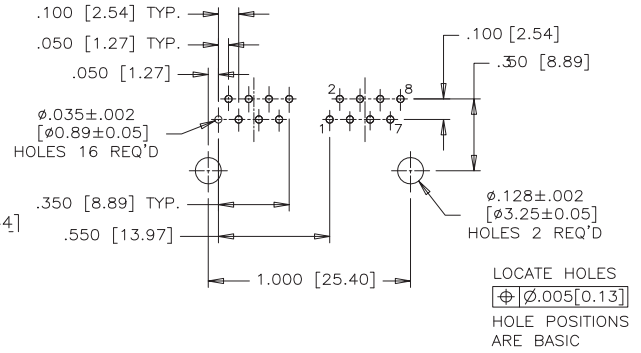
RJE09-288-0X10



FRONT VIEW



SIDE VIEW

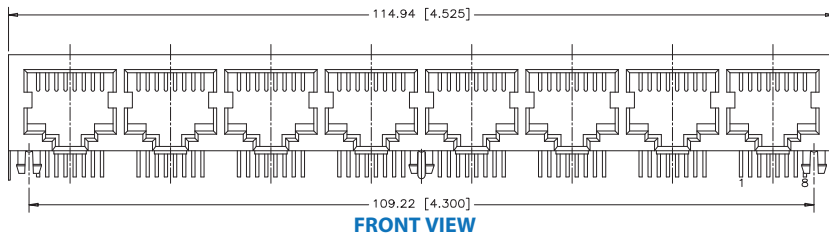


RECOMMENDED PCB LAYOUT

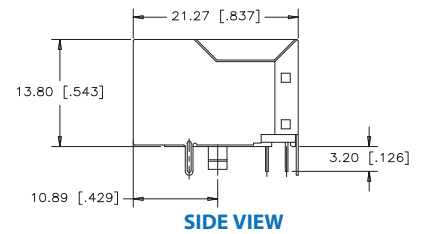
Shielded

*This drawing is in millimeters [inches]

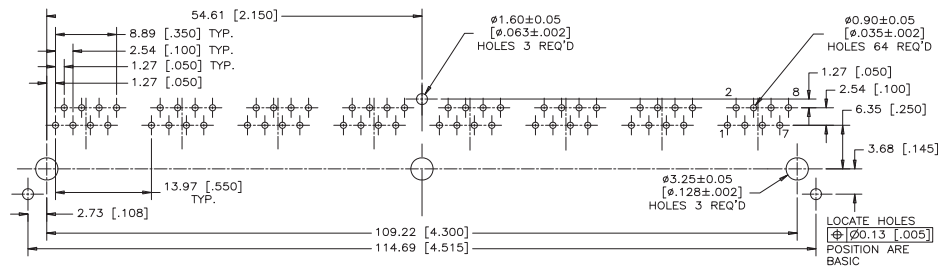
RJE09-888-1X10



FRONT VIEW



SIDE VIEW



RECOMMENDED PCB LAYOUT

Notes

RJE15

SINGLE PORT LOW PROFILE

Single Port, Low Profile

The RJE15 low profile connector is built to meet your high volume RJ requirements. This is a true pick and place compatible SMT connector and is available with or without shielding, and a variety of options including number of contacts, plating thickness, and colour. Built within high temperature engineering thermoplastic and suitable for IR reflow solder process.



Specifications

Material

- Insulator:** High temp.thermoplastic. Complies with UL 94V-0. Colour: Black
- Contacts:** Phosphor Bronze hard temper with gold thickness options (6 μ ", 15 μ ", 30 μ ", 50 μ "), over 50 μ " minimum nickel on contact mating area. 100 μ " minimum matte tin or gold flash plating on tail area.
- Shield:** Copper alloy; nickel plating over all.

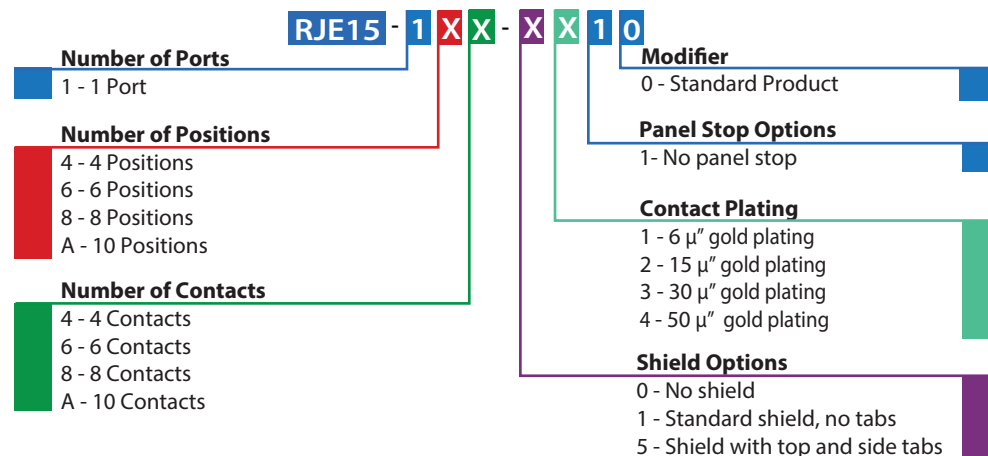
Electrical

- Contact Resistance:** 25 m Ω maximum
- Insulation Resistance:** 1000 M Ω minimum at 500V DC for 2 mins. max.
- Current Rating:** 1.5 Amps
- Voltage Rating:** 125 Volts AC
- DWV:** 1000 VAC, 60 Hz. 1 minute

Mechanical

- Mating Connector Insertion Force:** 5 lbs. maximum
- Mating Connector Pull Retention Force:** 20 lbs. minimum
- Durability:** 750 mating & unmating cycles
- Recommended Soldering Temperature:** IR Reflow peaked at 260 $^{\circ}$ C for 5 - 8 seconds maximum.
- Operating Temperature:** -40 $^{\circ}$ C to + 85 $^{\circ}$ C

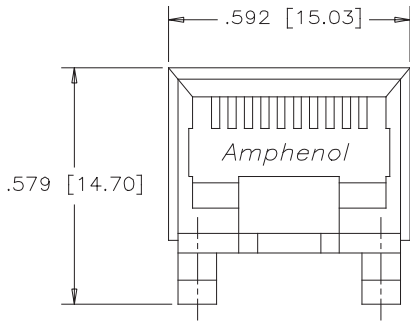
Ordering Information



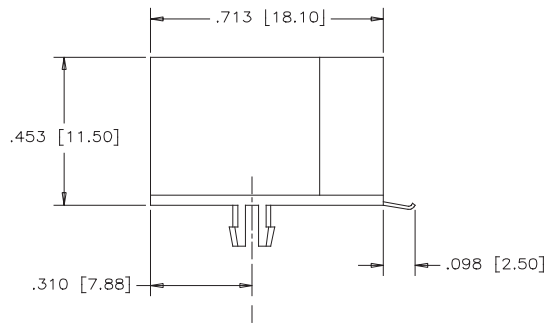
Didn't find what you were looking for?
Please contact sales@amphenolcanada.com and let us know what you need.

Single Port Non-Shielded

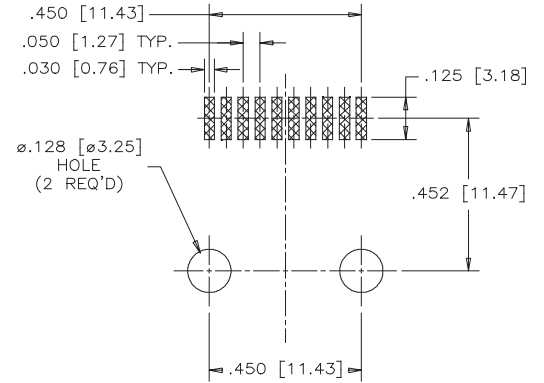
RJE15-1AA-0X10



FRONT VIEW



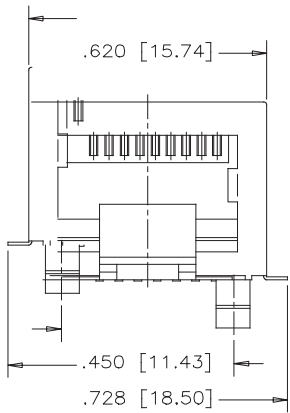
SIDE VIEW



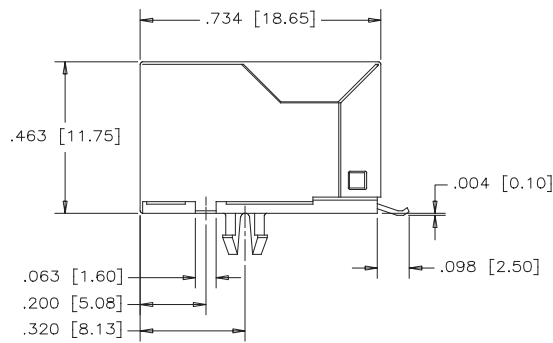
RECOMMENDED PCB LAYOUT

Shielded

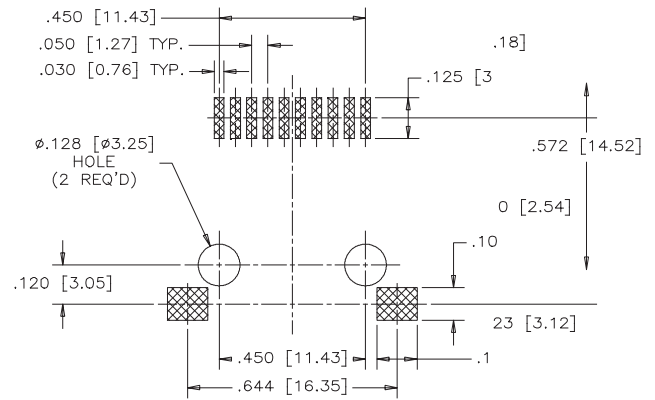
RJE15-1AA-1X10



FRONT VIEW



SIDE VIEW



RECOMMENDED PCB LAYOUT

Notes

Recessed, Low Profile

The RJULE is a series of single port RJ45 modular jacks designed for slim profile applications. With a profile height of less than 10 millimeters, this connector is perfect where vertical space is limited. Standard and rear mount shield options for superior EMI performance makes this part ideal for LAN and router applications.



Specifications

Material

- Housing:** High temperature engineering thermoplastic; flammability rating UL 94V-0
- Contacts:** Phosphor Bronze
- Plating:** Gold plated on mating surfaces over 50µ" (1.27 microns) minimum nickel under-plate.
- Shield:** Copper alloy; nickel plated with tin dipped tail

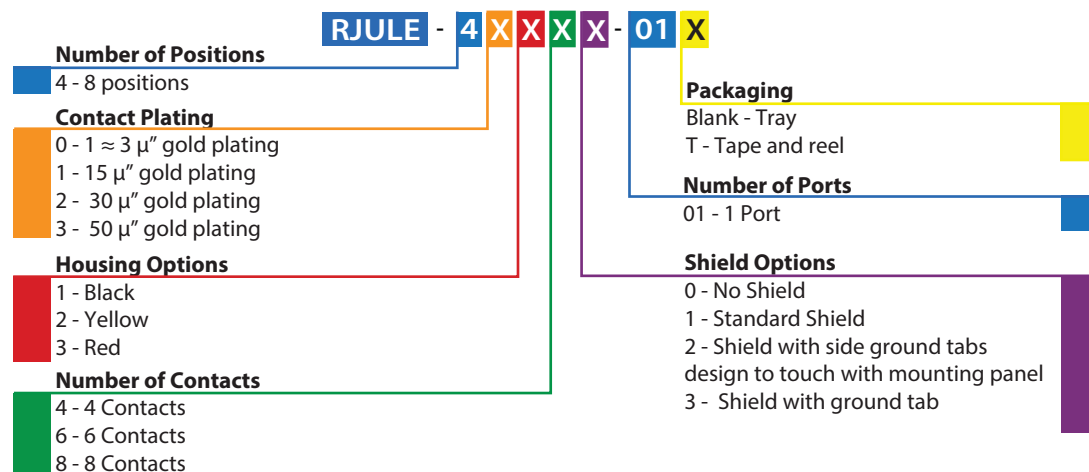
Electrical

- Contact Resistance:** 20 mΩ maximum
- Insulation Resistance:** 500 MΩ minimum at 500V DC for 2 mins. max.
- Current Rating:** 1.5 Amps
- Voltage Rating:** 125 Volts AC
- DWV:** 1000 VAC, 60 Hz. 1 minute

Mechanical

- Mating Connector Insertion Force:** 5 lbs. maximum
- Mating Connector Pull Retention Force:** 20 lbs. minimum
- Durability:** 750 mating & unmating cycles
- Recommended Soldering Temperature:** IR Reflow peaked at 260°C for 5 to 8 seconds maximum.
- Operating Temperature:** -55°C to + 85°C
- UL File #:** E135615

Ordering Information

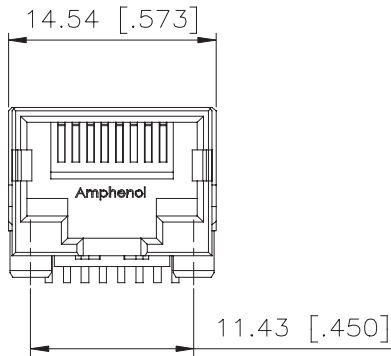


Didn't find what you were looking for?
Please contact sales@amphenolcanada.com and let us know what you need.

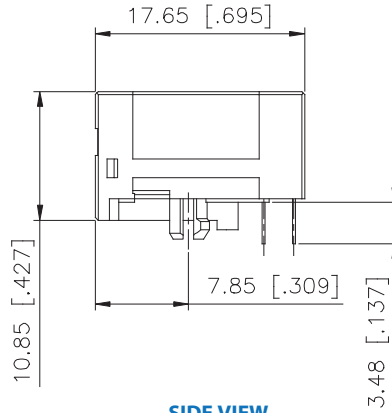
Single Port Non-Shielded

*All drawings on this page are in millimeters[inches].

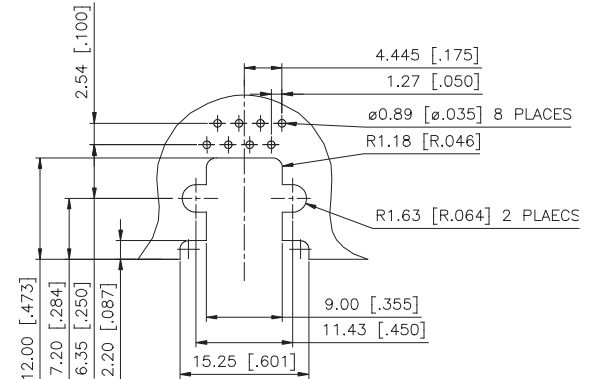
RJULE-4X180-01



FRONT VIEW



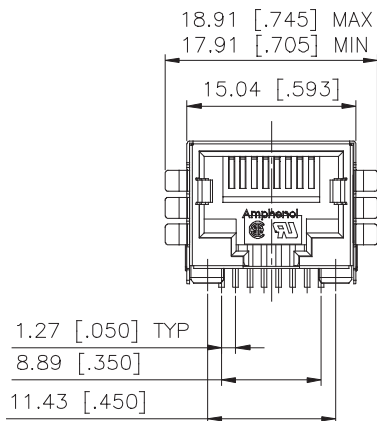
SIDE VIEW



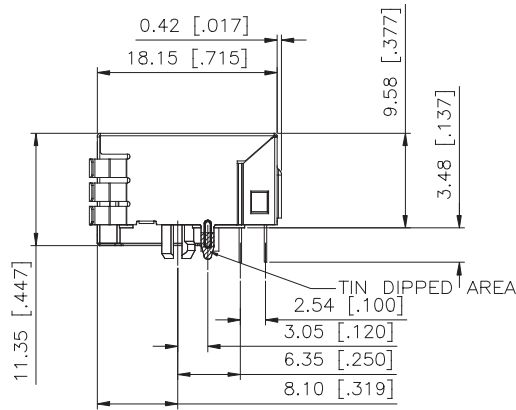
RECOMMENDED PCB LAYOUT

Shielded with Side Ground Tabs

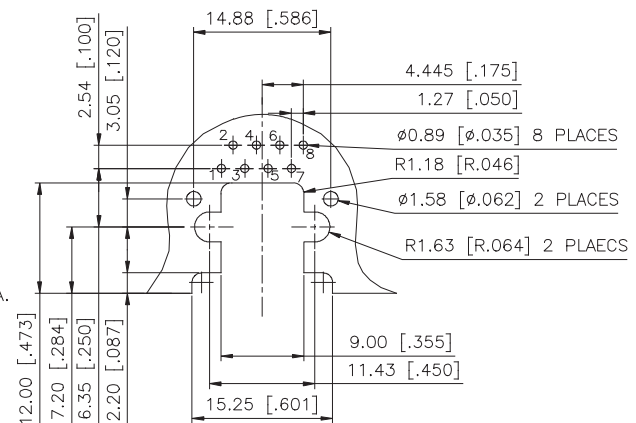
RJULE-4X182-01



FRONT VIEW



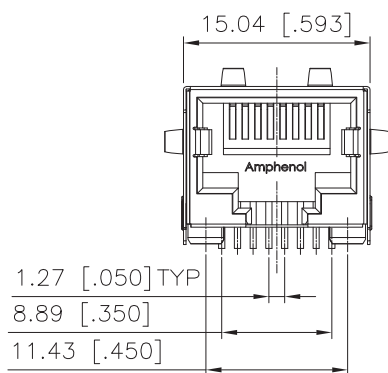
SIDE VIEW



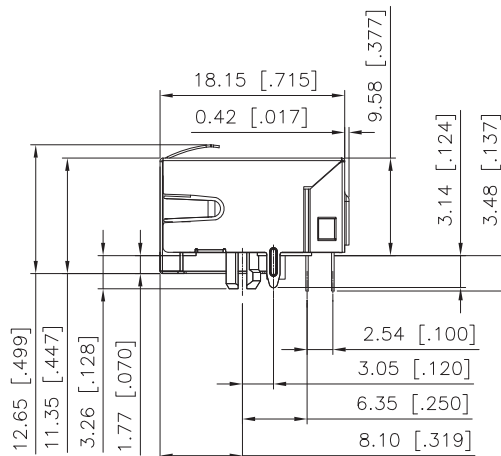
RECOMMENDED PCB LAYOUT

Single Port Standard Shield

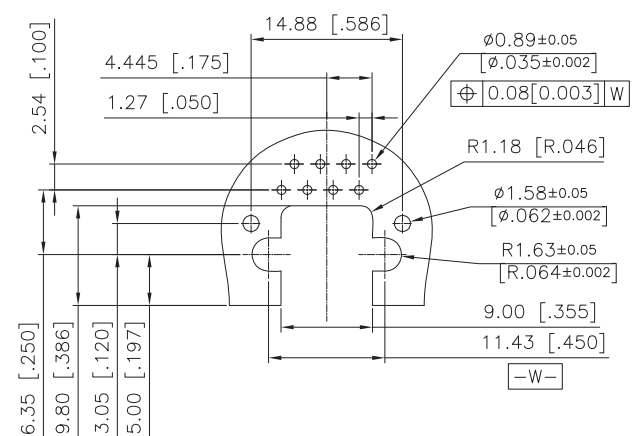
RJULE-4X181-01



FRONT VIEW



SIDE VIEW



RECOMMENDED PCB LAYOUT

RJE56

RJ45 PRESS FIT

RJ45 Press Fit

The RJE56 series is designed for applications where soldering is not an option. The press fit contacts and shield tabs have the “eye of the needle” design and provide good PCB retention as well as reliable electrical performance.



Specifications

Material

- Housing:** High temperature thermoplastic; complies with
- Contacts:** UL 94V-0. Colour Black.
Phosphor Bronze hard temper with gold thickness options (6µ”, 15µ”, 30µ”, 50µ”), over 50µ” minimum nickel on contact mating area. 100µ” minimum tin lead plating on press fit tail.
- Shield:** Stainless Steel

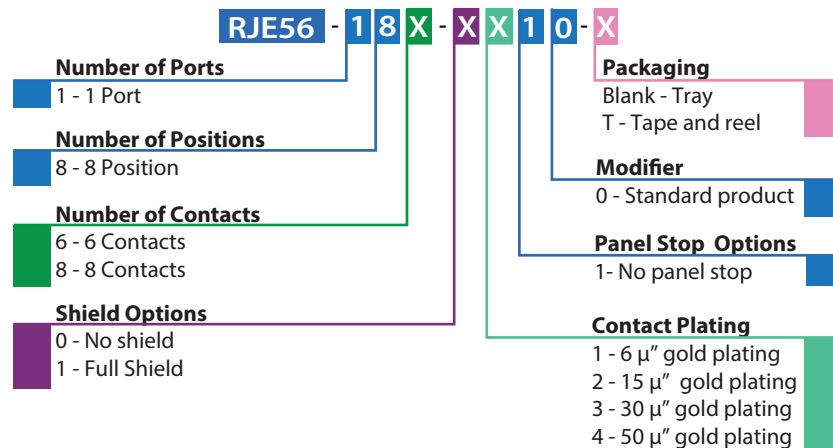
Mechanical

- Mating Connector Insertion Force:** 5 lbs. maximum
- Mating Connector Pull Retention Force:** 20 lbs. minimum
- Durability:** 750 mating & unmating cycles
- Recommended Soldering Temperature:** IR Reflow peaked at 260°C for 5 to 8 seconds maximum.
- Operating Temperature:** -40°C to + 70°C

Electrical

- Contact Resistance:** 20 mΩ maximum
- Insulation Resistance:** 500 MΩ minimum
- Current Rating:** 1.5 Amps
- Voltage Rating:** 125 Volts AC
- DWV:** 1000 VAC, 60 Hz. 1 minute

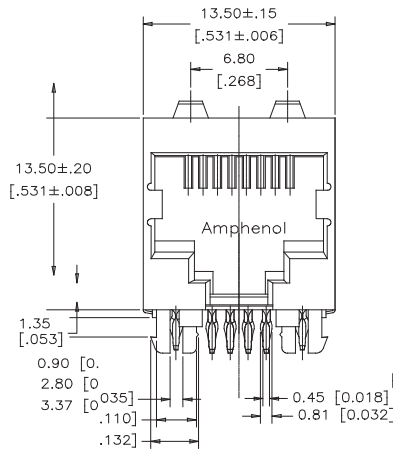
Ordering Information



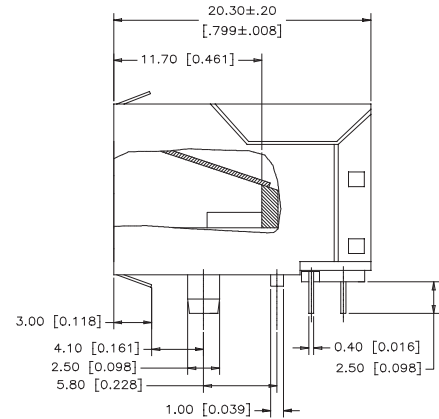
Didn't find what you were looking for?
Please contact sales@amphenolcanada.com and let us know what you need.

Single Port Shielded

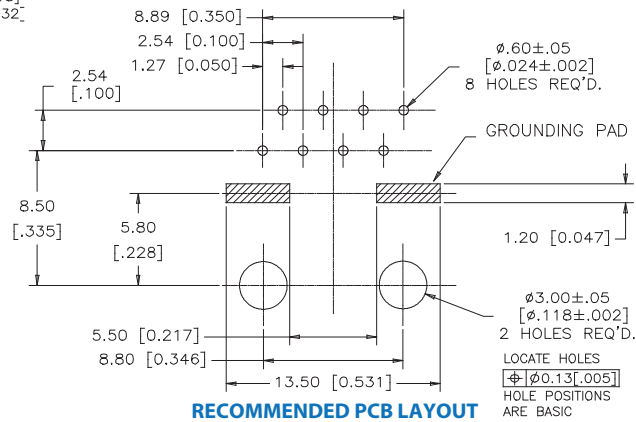
* This drawing is in millimeters[inches]



FRONT VIEW



SIDE VIEW



RECOMMENDED PCB LAYOUT

Notes

RJE73

RJ45 LOW PROFILE WITH LEDS

RJ45 Low Profile with LEDs

The RJE73 modular jack is a low profile RJ45 with LEDs and superior EMI shielding with a small footprint for space sensitive designs. Built in LEDs provide link activity and network verification. This product is ideal for LAN applications such as adapter cards and routers.



Specifications

Material

Insulator:	High temperature thermoplastic; complies with	LED Reverse Voltage:	5 Volts minimum
Contacts:	UL 94V-0, Colour: Black Phosphor Bronze hard temper with gold plating options 50µ" minimum nickel on contact mating area 100µ" minimum matte tin on solder tails.	LED Light Intensity:	0.4 to 1.5 mcd minimum @2mA (for single colours) 0.5 mCd minimum @20mA (for Bi-colours)
Shield:	Stainless steel on tin dipped tails.	LED Wave Length:	Yellow: 587± 7 nm measured at 20mA Green: 565 ± 6 nm measured at 20mA Red: 625 ± 5 nm measured at 20mA
LED:	Tin plating on LED tails.		

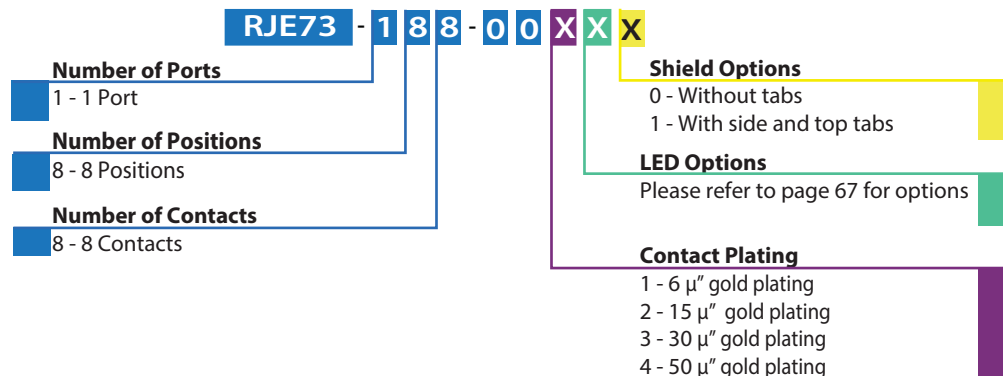
Electrical

Contact Resistance:	20 mΩ maximum
Insulation Resistance:	500 MΩ minimum at 500V DC for 2 mins. max.
Current Rating:	1.0 Amps
Voltage Rating:	125 Volts AC
DWV:	1000 VAC, 60 Hz. 1 minute
LED Forward DC Current:	20 mA typical
LED Forward Voltage:	1.9 Volts maximum @2mA (for single

Mechanical

Mating Connector Insertion Force:	5 lbs. maximum
Mating Connector Pull Retention Force	20 lbs. minimum
Durability:	750 mating and unmating cycles
Recommended Soldering Temperature:	Wave soldering peaked at 260°C for 5 seconds maximum (connectors without LEDs are suitable for IR reflow)
Operating Temperature:	-55°C to + 85°C
UL File #:	E135615

Ordering Information

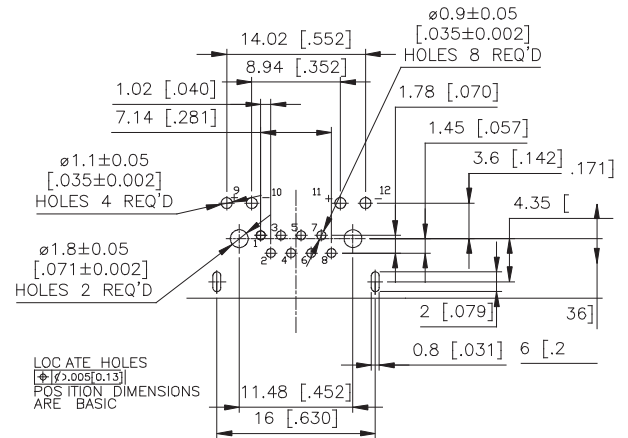
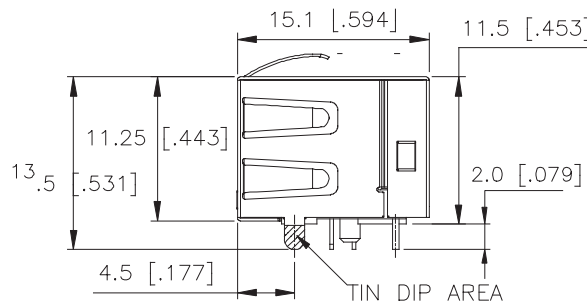
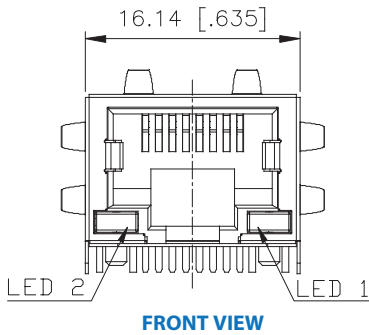


Didn't find what you were looking for?
Please contact sales@amphenolcanada.com and let us know what you need.

Single Port Shielded

* This drawing is in millimeters[inches]

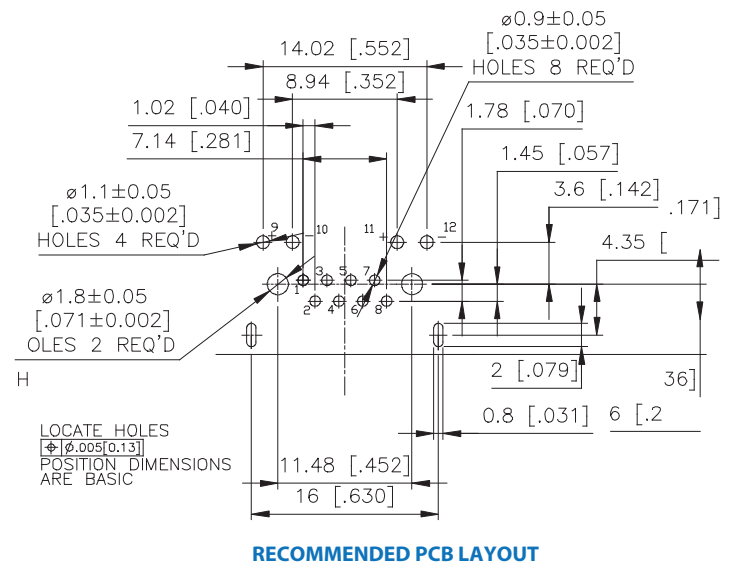
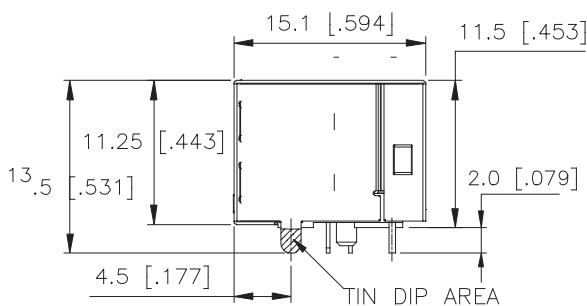
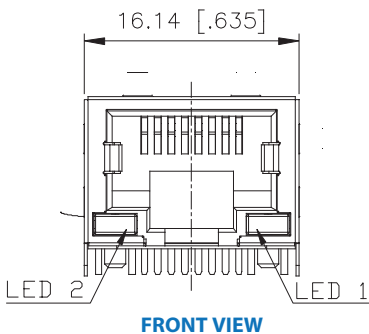
RJE73-188-004XX1



Shielded with Side Grounds Tabs

* This drawing is in millimeters[inches]

RJE73-188-00X-0



RJE06

SINGLE PORT SLIM PROFILE

Single Port Slim Profile

RJE06 series is a group of products within a family of standard modular jacks designed to meet requirements for a variety of applications. Options within the RJE06 family include shielded & non-shielded, and 8p8C configurations.



Specifications

Material

Insulator:	Engineering thermoplastic. Complies with UL 94V-0. Colour Black.
Contacts:	Phosphor Bronze hard temper with gold thickness options (6µ", 15µ", 30µ", 50µ"), over 50µ" minimum nickel on contact mating area. 100µ" minimum tin or gold flash plating on tail area.
Shield:	Copper alloy; nickel plating over all.

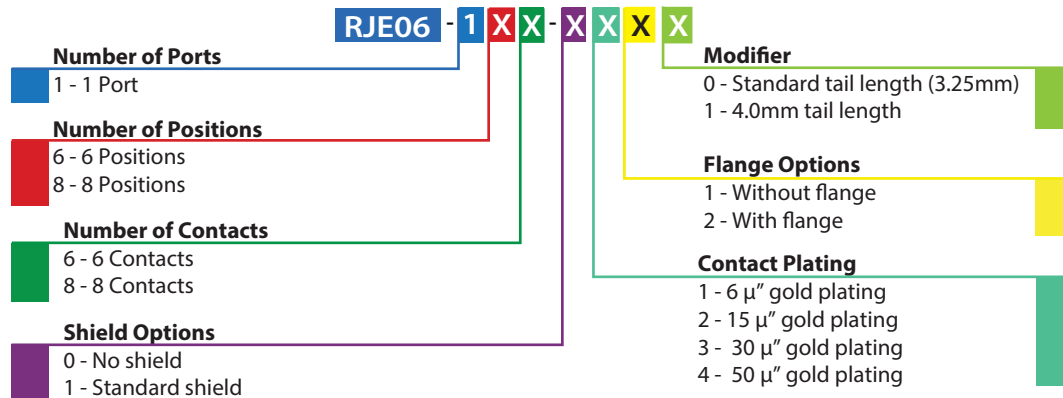
Mechanical

Mating Connector Insertion Force:	5 lbs. maximum
Mating Connector Pull Retention Force:	20 lbs. minimum
Durability:	750 mating & unmating cycles
Recommended Soldering Temperature:	Wave soldering peaked at 260°C for 5 seconds maximum. Connectors made with high temperature material are suitable for IR reflow
Operating Temperature:	-40°C to +70°C
UL File #:	E136228

Electrical

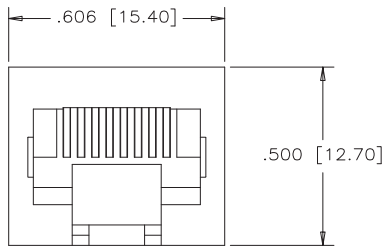
Contact Resistance:	20 mΩ maximum
Insulation Resistance:	500 MΩ minimum at 500V DC for 2 mins max.
Current Rating:	1.5 Amps
Voltage Rating:	125 Volts AC
DWV:	1000 VAC, 60 Hz. 1 minute

Ordering Information

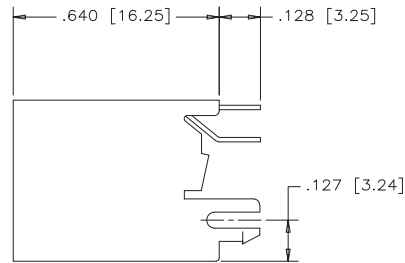


Didn't find what you were looking for?
Please contact sales@amphenolcanada.com and let us know what you need.

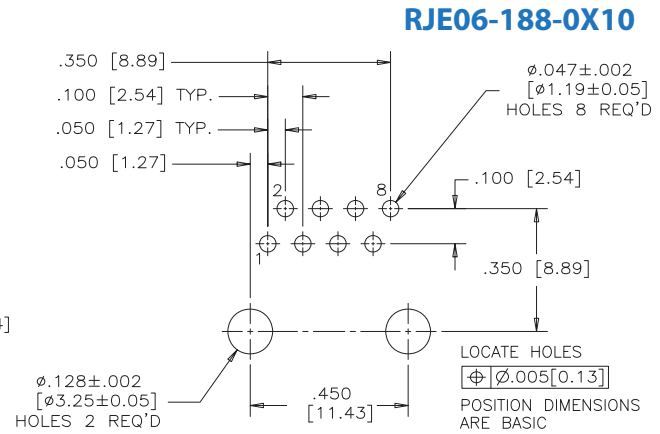
Single Port Non-Shielded



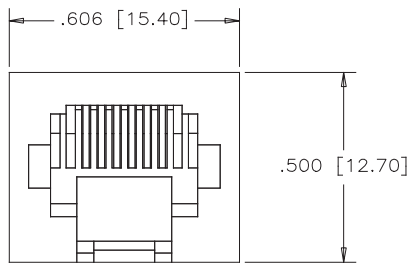
FRONT VIEW



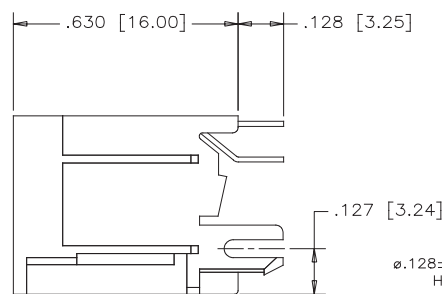
SIDE VIEW



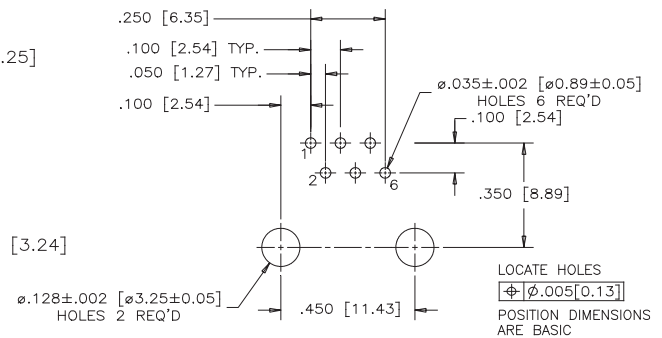
Shielded with Side Ground Tabs



FRONT VIEW

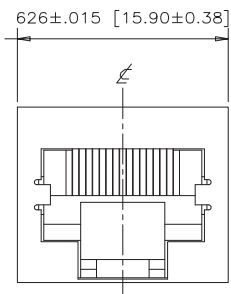


SIDE VIEW

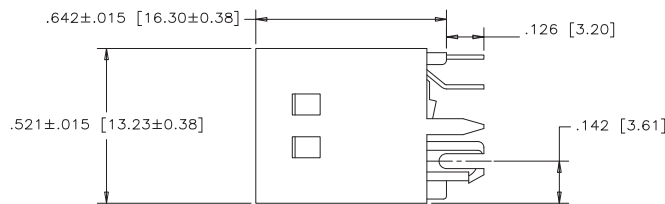


RECOMMENDED PCB LAYOUT

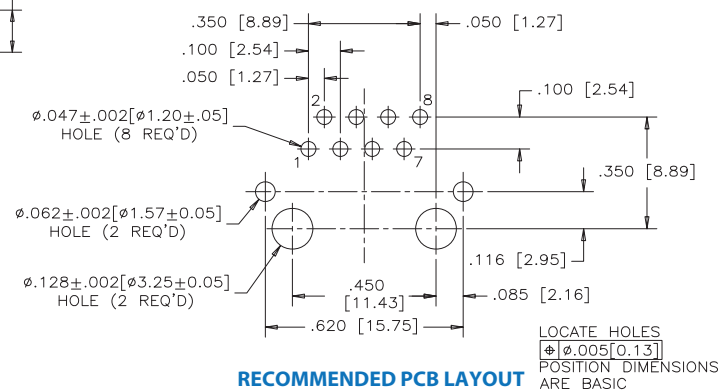
Single Port Standard Shield



FRONT VIEW



SIDE VIEW



RECOMMENDED PCB LAYOUT

RJE08

SINGLE PORT STANDARD PROFILE

Single Port Standard Profile

RJE08 series is a group of products within a family of standard modular jacks designed to meet requirements for a variety of applications. Options within the RJE08 include with and without panel stops, and RJ11 and RJ45 configurations.



Specifications

Material

Insulator: Engineering thermoplastic. Complies with UL 94V-0.

Contacts: Colour: Black.
Phosphor Bronze hard temper with gold thickness options (6µ", 15µ", 30µ", 50µ"), over 50µ" minimum nickel on contact mating area. 100µ" minimum matte tin or gold flash plating on tail area.

Electrical

Contact Resistance: 25 mΩ maximum

Insulation Resistance: 500 MΩ minimum at 500V DC for 2 mins. max.

Current Rating: 1.5 Amps

Voltage Rating: 125 Volts AC

DWV: 1000 VAC, 60 Hz. 1 minute

Mechanical

Mating Connector Insertion Force: 5 lbs. maximum

Mating Connector Pull Retention Force: 20 lbs. minimum

Durability: 750 mating & unmating cycles

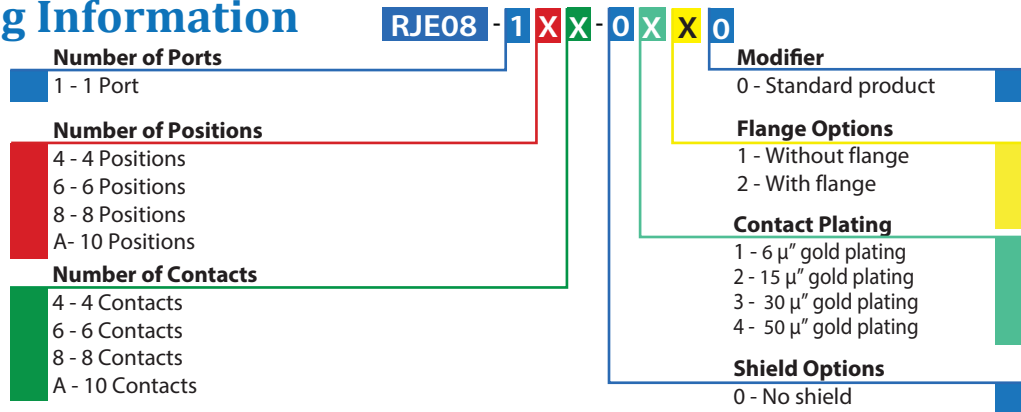
Recommended Soldering Temperature: Wave soldering peaked at 260°C for 5 seconds maximum.

Connectors made with high temperature material are suitable for IR reflow.

Operating Temperature: -40°C to +85°C

UL File #: E136228

Ordering Information

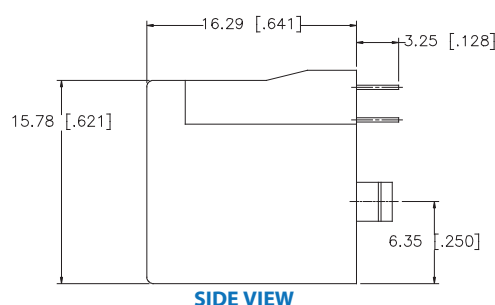
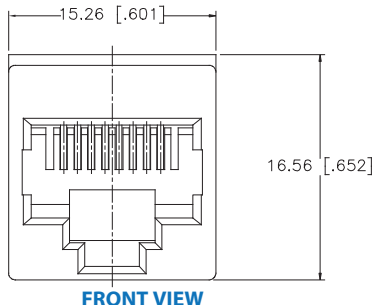


Didn't find what you were looking for?

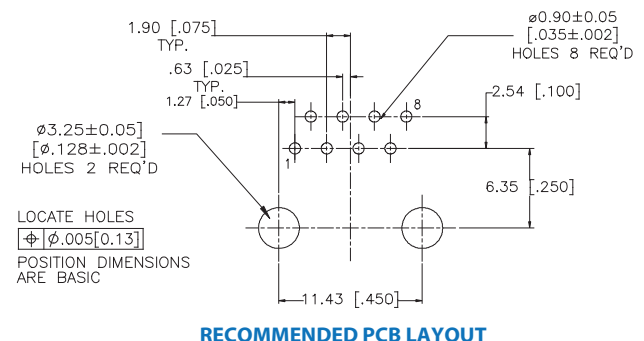
Please contact sales@amphenolcanada.com and let us know what you need.

Single Port Non-Shielded

*This drawing is in millimeters[inches]



RJE08-188-0X10



Single Port Surface Mount

The RJE23 series is designed for high volume production where a vertical modular jack is required. Shielding provides increased EMI performance. Surface mount contacts and hold-down nail bracket assist in speeding up the production process.



Specifications

Material

Insulator:	High temperature thermoplastic. Complies with UL 94V-0.
Contacts:	Colour: Black. Phosphor Bronze hard temper with gold thickness options (6µ", 15µ", 30µ", 50µ"), over 50µ" minimum nickel on contact mating area. 100µ" minimum matte tin over nickel on soldering tail.
Hold Down:	Copper alloy plated with bright tin.
Coplanarity:	Maximum gap between all terminal tails is 0.004"

Voltage Rating:	125 Volts AC
DWV:	1000 VAC, 60 Hz. 1 minute

Mechanical

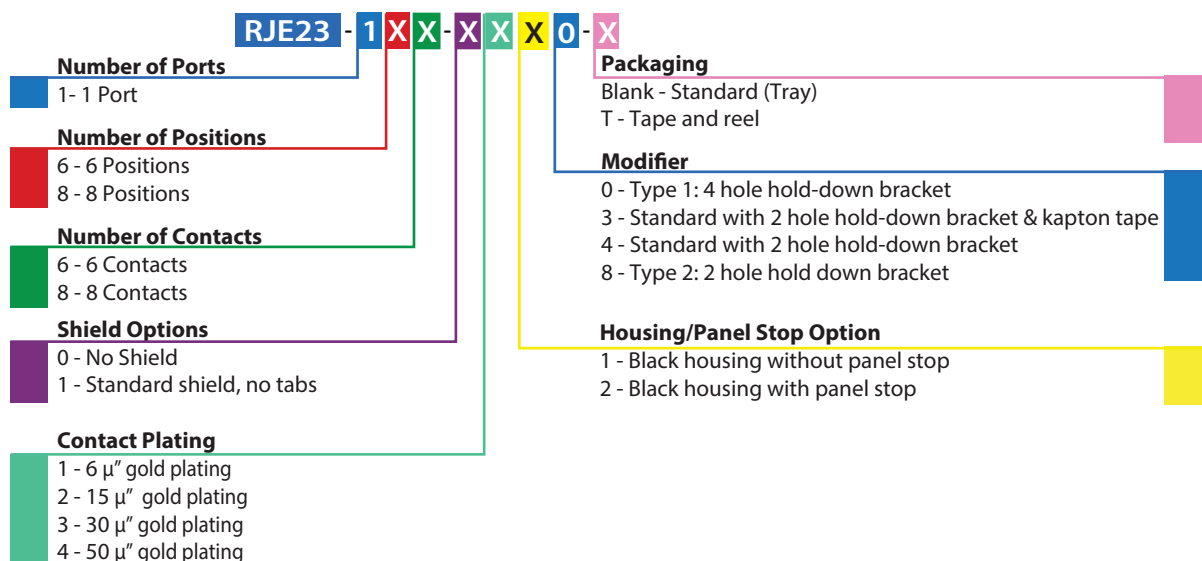
Mating Connector Insertion Force:	5 lbs. maximum
Mating Connector Pull Retention Force:	20 lbs. minimum
Durability	750 mating & unmating cycles
Recommended Soldering Temperature:	IR Reflow peaked at 260°C for 5 - 8 seconds maximum.

Operating Temperature	-40°C to +70°C
------------------------------	----------------

Electrical

Contact Resistance:	20 mΩ maximum
Insulation Resistance:	500 MΩ minimum at 500V DC for 2 mins. max.
Current Rating:	1.5 Amps

Ordering Information



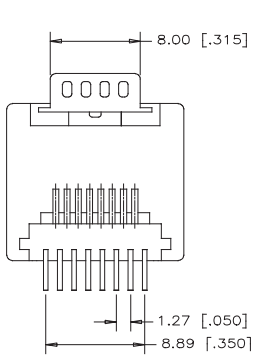
Didn't find what you were looking for?
Please contact sales@amphenolcanada.com and let us know what you need.

RJE23

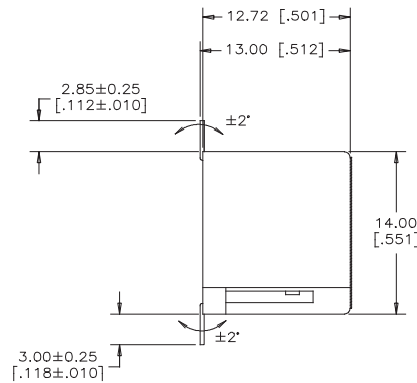
SINGLE PORT SURFACE MOUNT

Single Port Non - Shielded

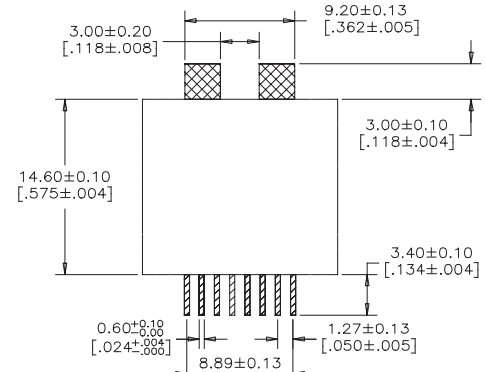
* This drawing is in millimeters[inches].



FRONT VIEW



SIDE VIEW

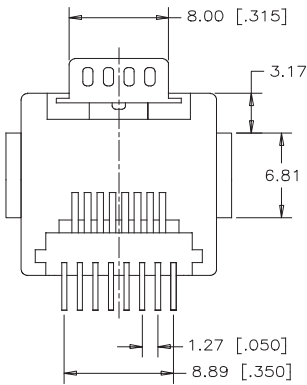


RECOMMENDED PCB LAYOUT

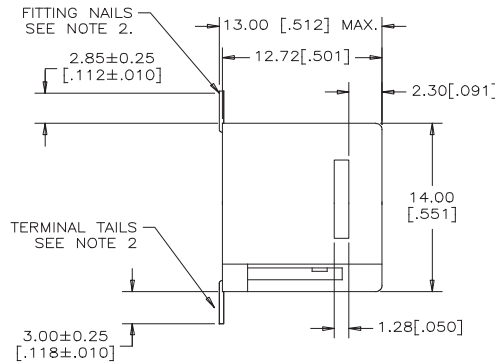
RJE23-188-0X10

Non - Shielded

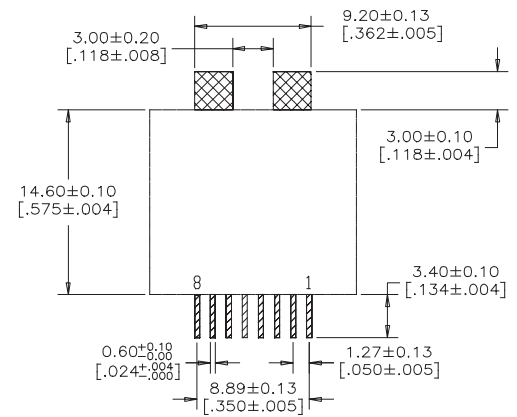
* This drawing is in millimeters[inches].



FRONT VIEW



SIDE VIEW



RECOMMENDED PCB LAYOUT

RJE23-188-0X20

Notes

Single Port Surface Mount

The RJE74 series, with superior EMI shielding, is built to fit your modular jack requirements. The vertical 10P10C version is available with an RMK4 key interface to prevent an 8P8C plug from entering and damaging the connector. Includes optional mylar cover for automated assembly equipment.



Specifications

Material

Insulator:	High temperature thermoplastic. Complies with UL 94V-0.
Contacts:	Colour: Black. Phosphor Bronze hard temper with 30µ" minimum gold thickness over 50µ" minimum nickel on contact mating area. 100µ" minimum matte tin plating on soldering tail.
Shield:	Stainless steel; pure tin dipped tails
LED:	Tin plating on LED tails

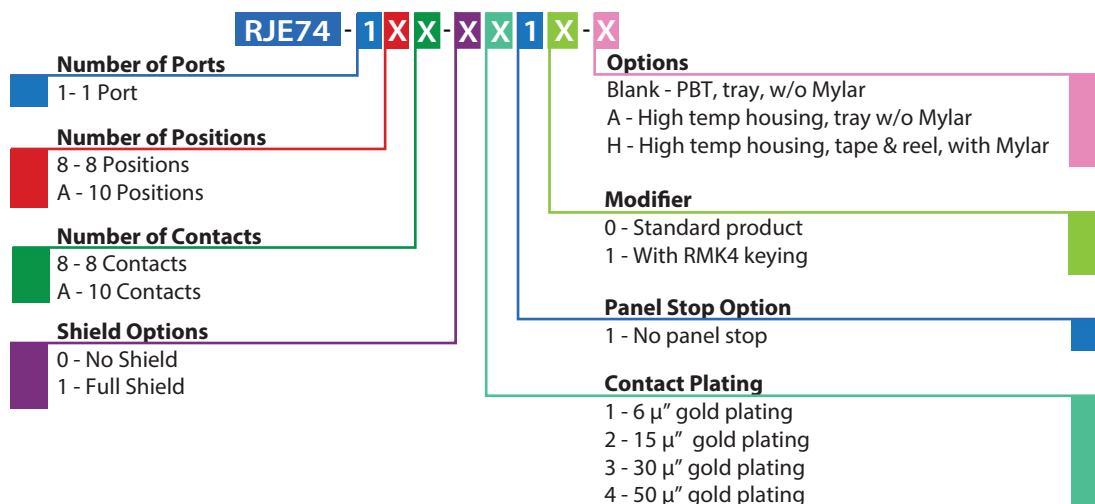
Electrical

Contact Resistance:	20 mΩ maximum
Insulation Resistance:	500 MΩ minimum at 500V DC for 2 mins. max.
Current Rating:	1.5 Amps
Voltage Rating:	125 Volts AC
DWV:	1000 VAC, 60 Hz. 1 minute

Mechanical

Mating Connector Insertion Force:	5 lbs. maximum
Mating Connector Pull Retention Force:	20 lbs. minimum
Durability:	750 mating & unmating cycles
Recommended Soldering Temperature:	IR Reflow peaked at 260°C for 5 - 8 seconds maximum.
Operating Temperature:	-55°C to + 85°C
UL File #:	E135615

Ordering Information



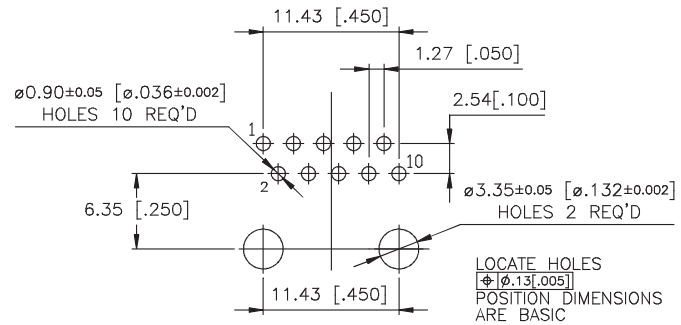
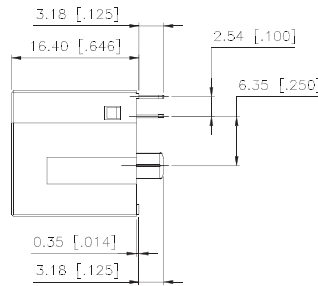
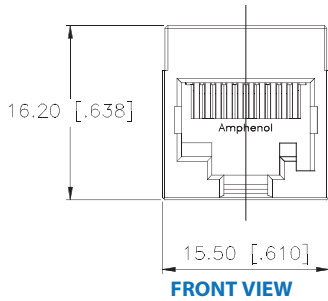
RJE74

SINGLE PORT

*All drawings on this page are in millimeters[inches].

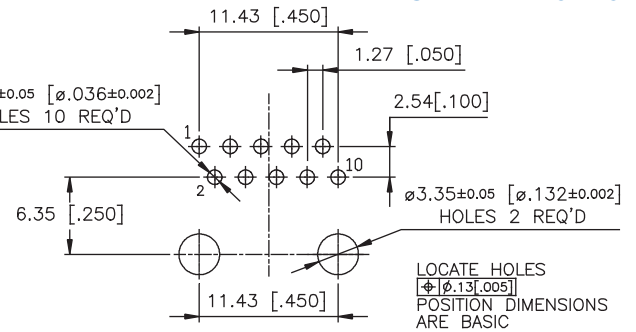
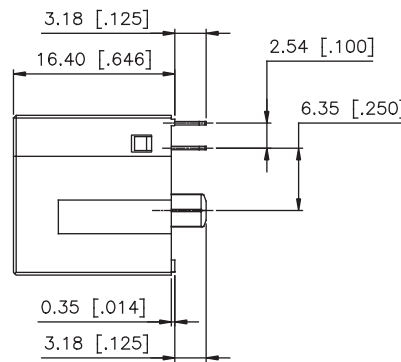
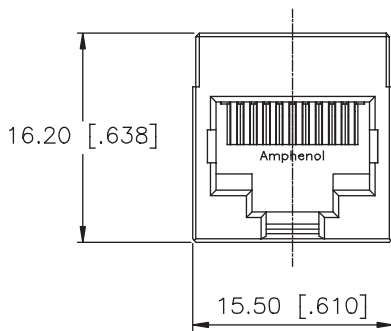
Single Port Non-Shielded with Keying

RJE74-1AA-0X11



Non - Shielded

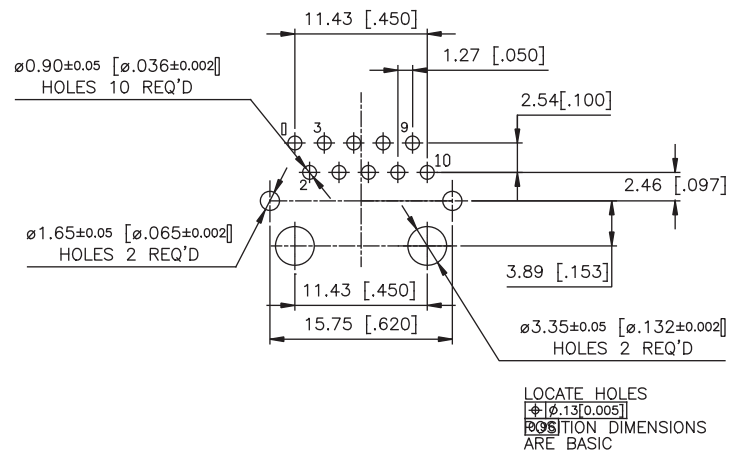
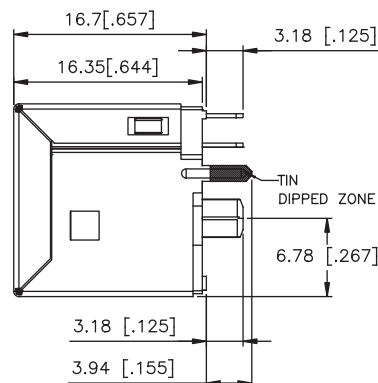
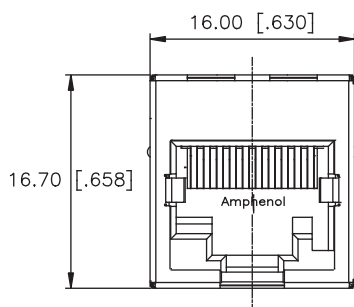
RJE74-1AA-0X10



RECOMMENDED P.C.B LAYOUT
(COMPONENT SIDE OF BOARD
TOLERANCES: +/- 0.05[.002],
BASED ON PRODUCT WITH
SHIELD)

Shielded with Keying

RJE74-1AA-1X11



Right Angled, Recessed, Low Profile

Vertical through-hole (THT) in single port RJ45 configurations with full shield or superior EMI protection. A variety of LED options for link-activity and network verification are available. Made with high temperature composite and when accompanied with our high temperature resistant LEDs, these connectors are well suited for the IR reflow process.



Specifications

Material

Insulator:	High temperature thermoplastic. Complies with UL 94V-0.
Contacts:	Colour: Black. Phosphor Bronze hard temper with gold thickness option (6µ", 15µ", 30µ", 50µ"), over 50µ" minimum nickel on contact mating area. 100µ" minimum matte tin on solder tail.
Shield:	Stainless steel with tin dipped tails.
LED:	Tin plating on LED tails.

LED Reverse Voltage:	5 Volts minimum
LED Light Intensity:	0.4 to 1.5 mCd @2mA (for single colors)
LED Wave Length:	0.5 mcd min. @2mA (for Bi-colours) Yellow: 587± 7 nm measured at 20mA Green: 565 ± 6 nm measured at 20mA Red: 625 ± 5 nm measured at 20mA

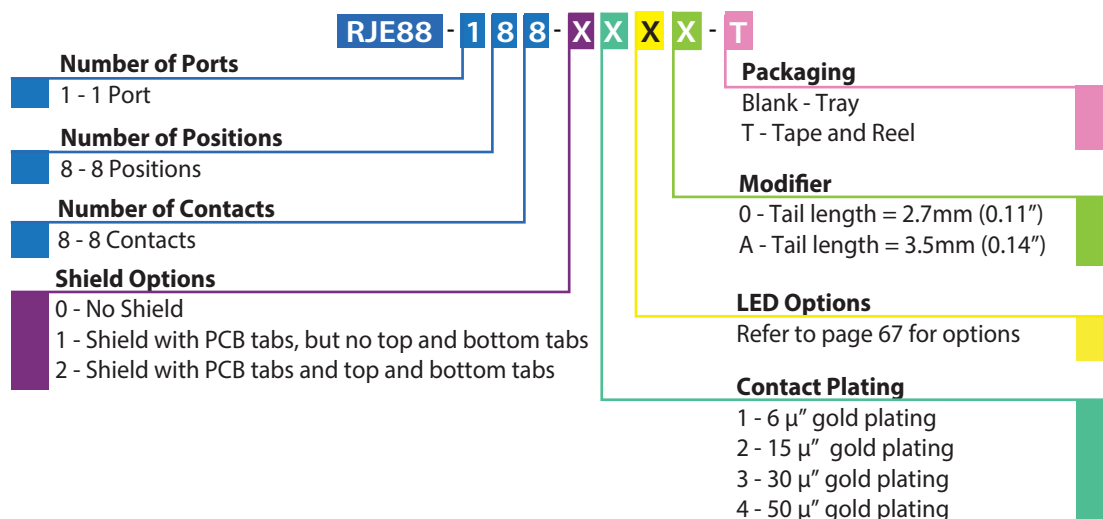
Electrical

Contact Resistance:	20 mΩ maximum
Insulation Resistance:	500 MΩ minimum at 500V DC for 2 mins. max.
Current Rating:	1.5 Amps
Voltage Rating:	125 Volts AC
DWV:	1000 VAC, 60 Hz. 1 minute
LED Forward DC Current:	2.6 Volts maximum @2mA (for Bi-colours)
LED Forward Voltage:	20mA typical 1.9 Volts maximum @2mA (for single colours)

Mechanical

Mating Connector Insertion Force:	5 lbs. maximum
Mating Connector Pull Retention Force:	20 lbs. minimum
Durability:	750 mating & unmating cycles
Recommended Soldering Temperature:	Wave soldering peaked at 260°C for 5 seconds maximum.
Operating Temperature:	-55°C to + 85°C

Ordering Information



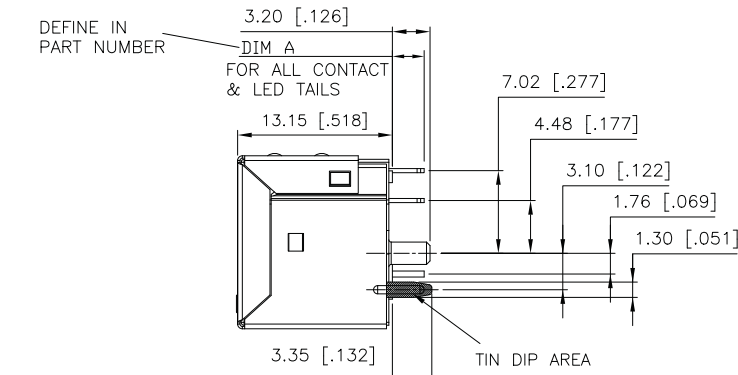
RJE88

SINGLE PORT, VERTICAL, WITH LEDS

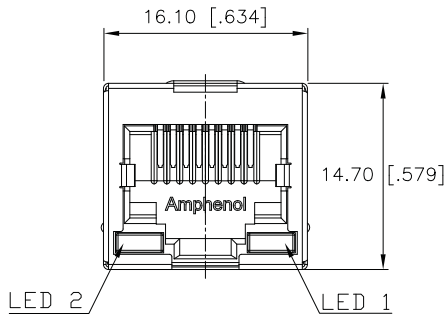
Single Port Shielded

*This drawing is in millimeters[inches].

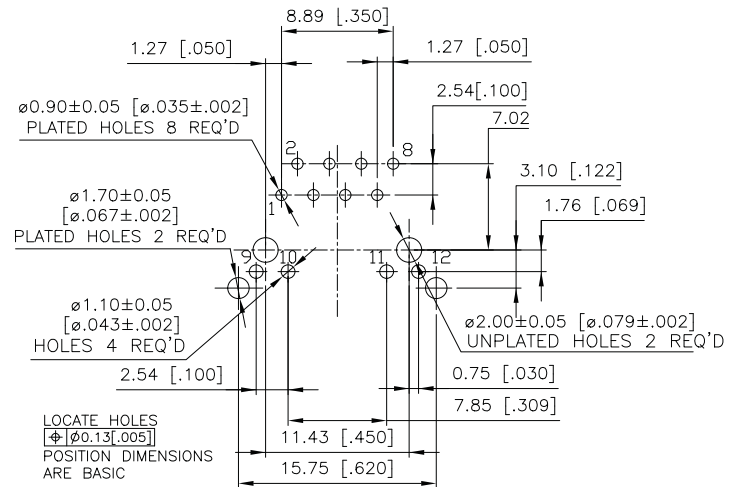
RJE88-188-1XXX



SIDE VIEW



FRONT VIEW



RECOMMENDED P.C.B LAYOUT
(COMPONENT SIDE OF BOARD
TOLERANCES: +/- 0.05[.002])

RECOMMENDED PCB LAYOUT

Notes

2, 4, and 8 Ports with LEDs and Shield Options



The RJSAE is a RJ45 stackable connector that reduces component and labour costs by incorporating LEDs into the connector. Its stackable feature enables more ports with the same board space. With superior EMI performance, the option of configuring your connector with a ferrite filter is available to further reduce crosstalk in noisy applications. Amphenol offers a variety of other options such as shielded and unshielded and a variety of LED combinations and port configurations.

Specifications

Material

Insulator:	High temperature thermoplastic; with UL 94V-0.
Contacts:	Colour: Black Phosphor Bronze hard temper with gold thickness options (6µ", 15µ", 30µ", 50µ"), over 50µ" minimum nickel on contact mating area.
Shield:	100µ" minimum matte tin plating on soldering tail.
LED:	Copper alloy; nickel plated with pure in dipped tail. Pure tin plating on LED tail

LED Reverse Voltage:	5 Volts minimum
LED Light Intensity:	0.4 to 1.5 mCd minimum @2mA (for single colors) 0.5 mCd minimum @20mA (for bi-colors)
LED Wave Length:	Yellow: 587± 7 nm measured at 20mA Green: 565 ± 6 nm measured at 20mA Red: 625 ± 5 nm measured at 20mA

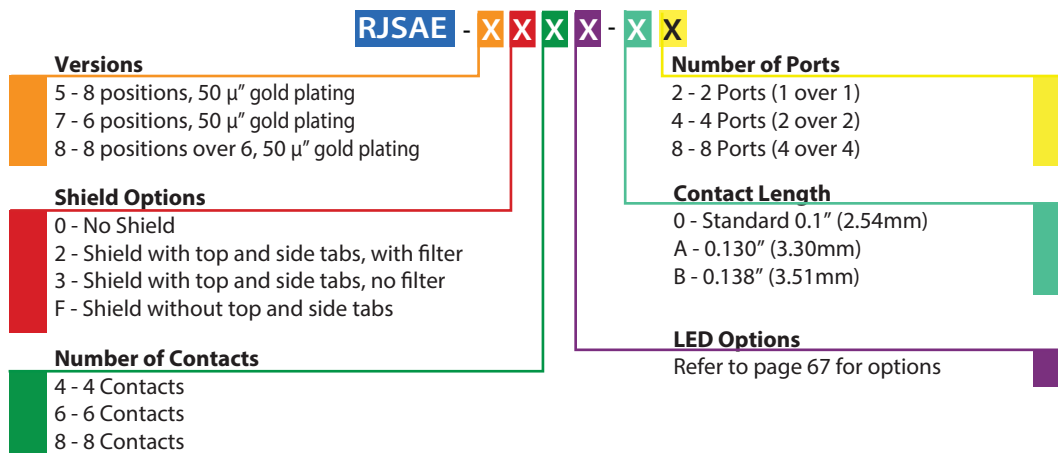
Electrical

Contact Resistance:	20 mΩ maximum
Insulation Resistance:	500 MΩ minimum at 500V DC for 2 mins. max.
Current Rating:	1.5 Amps
Voltage Rating:	125 Volts AC
DWV:	1000 VAC, 60 Hz. 1 minute
LED Forward DC Current:	20 mA typical
LED Forward Voltage:	1.9 Volts maximum @2mA (for single colors) 2.6 Volts maximum @20mA (for bi-colors)

Mechanical

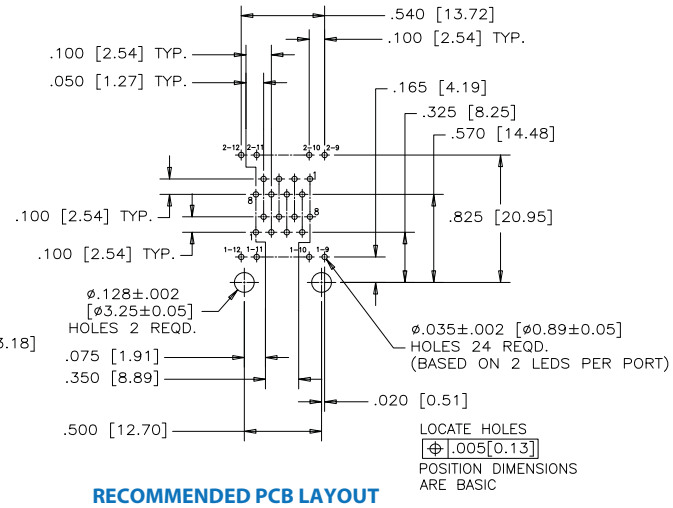
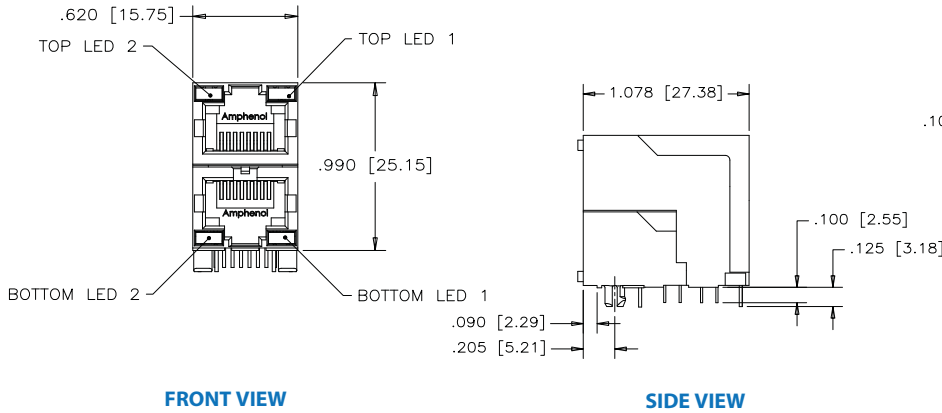
Mating Connector Insertion Force:	5 lbs. maximum
Durability:	20 lbs. minimum
Recommended Soldering Temperature:	750 mating and unmating cycles Wave soldering peaked at 260°C for 5 seconds maximum (connectors without LEDs are suitable for IR reflow)
Operating Temperature:	-55°C to + 85°C
UL File #:	E135615
CSA File #:	150190

Ordering Information



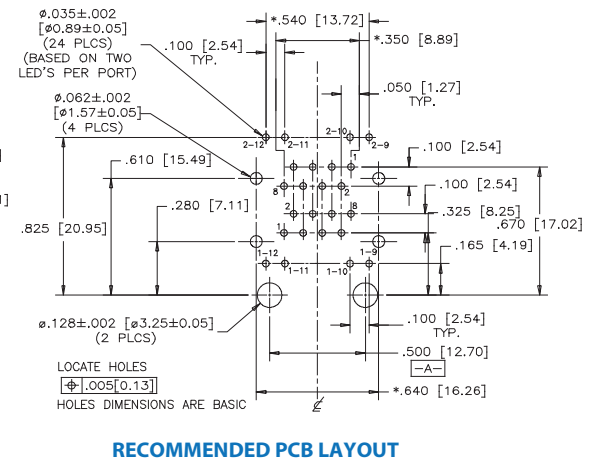
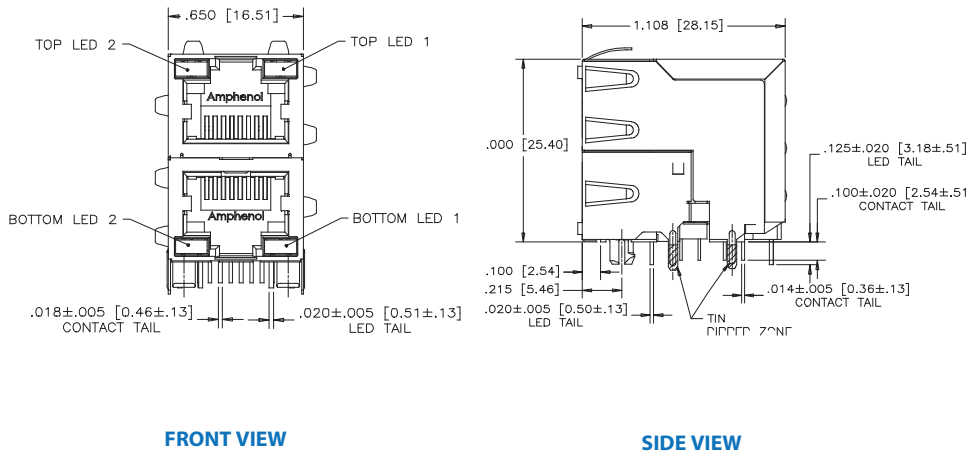
Single Port Non-Shielded

RJSAE-508X-02



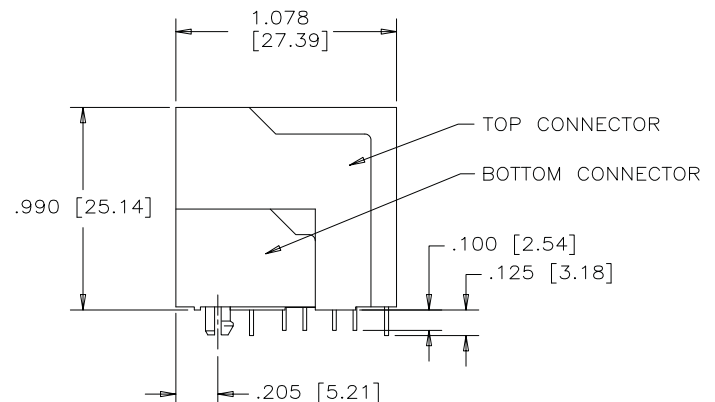
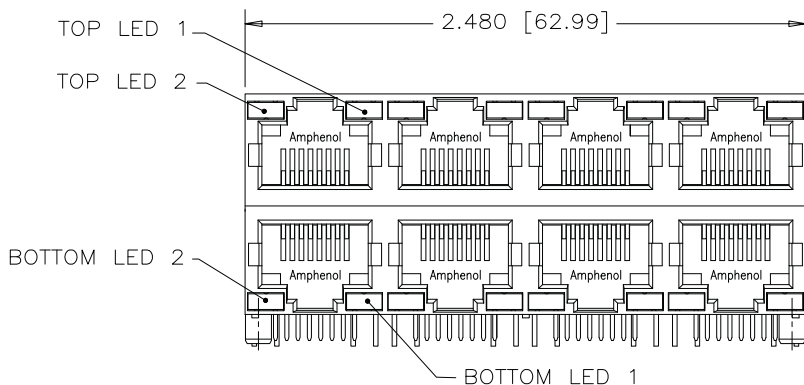
Shielded

RJSAE-538X-02



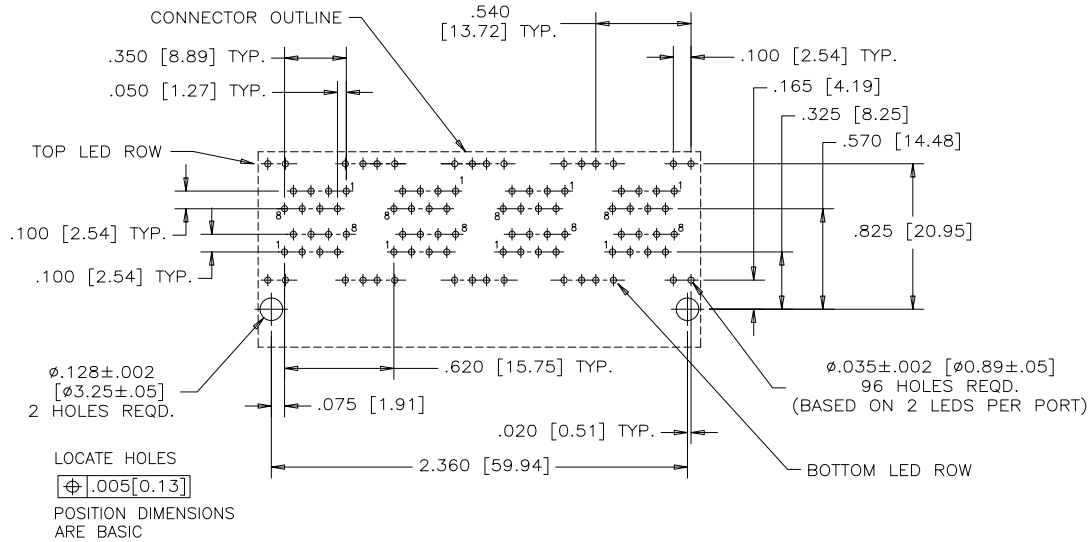
Multi Port Non-Shielded

RJSAE-508X-08



Multi Port Non-Shielded

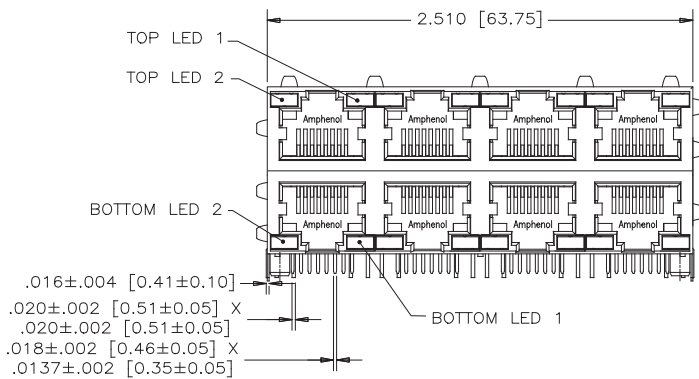
RJSAE-508X-08



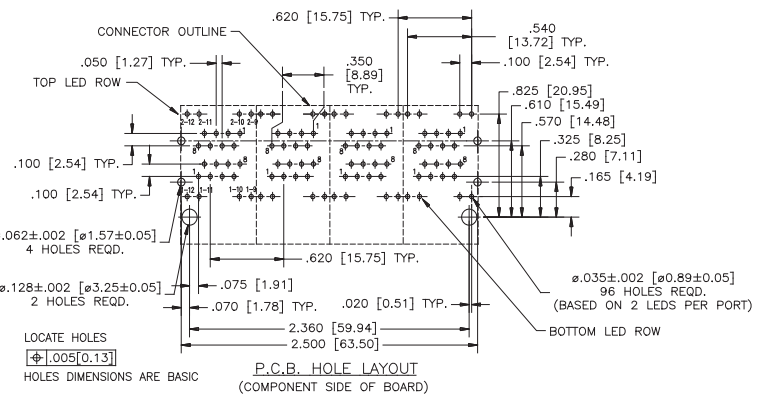
RECOMMENDED PCB LAYOUT

Shielded

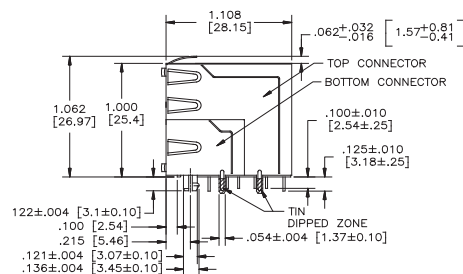
RJSAE-538X-08



FRONT VIEW



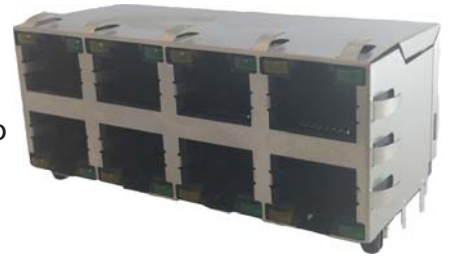
RECOMMENDED PCB LAYOUT



SIDE VIEW

4 Over 4 Ports with LED and Shield Options

The RJSNE series is a stacked onnector that offers LED options for link activity and network verification. It is available with or without shielding. The RJSNE series also includes a unique inner shield device to reduce the crosstalk between top and bottom ports.



Specifications

Material

Insulator:	High temperature thermoplastic; with UL 94V-0.
Contacts:	Colour: Black Phosphor Bronze hard temper with gold thickness options (6µ", 15µ", 30µ", 50µ"), over 50µ" minimum nickel on contact mating area. 100µ" minimum matte tin plating on soldering tail.
Shield:	Copper alloy; nickel plated with pure in dipped tail.
LED:	Pure tin plating on LED tail

LED Reverse Voltage:	5 Volts minimum
LED Light Intensity:	0.4 to 1.5 mCd minimum @2mA (for single colors) 0.5 mCd minimum @20mA (for bi-colors)
LED Wave Length:	Yellow: 587± 7 nm measured at 20mA Green: 565 ± 6 nm measured at 20mA Red: 625 ± 5 nm measured at 20mA

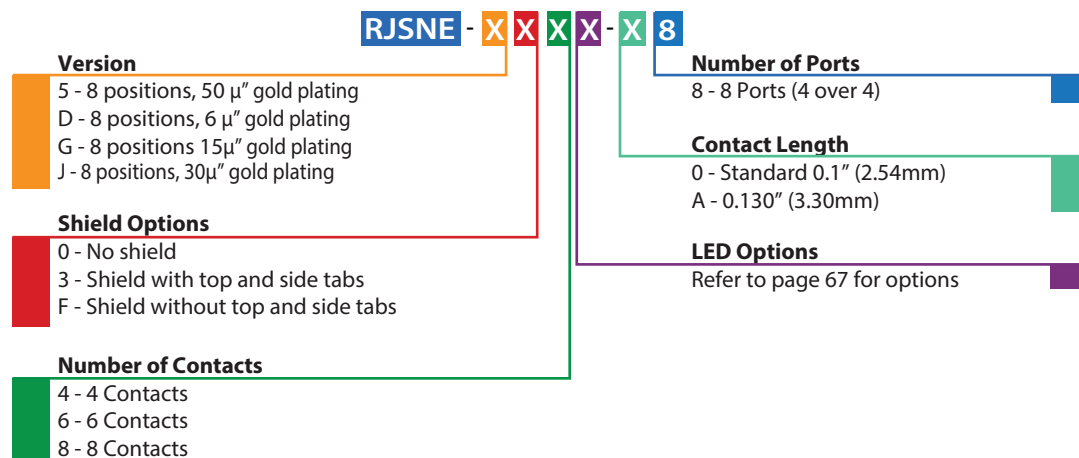
Electrical

Contact Resistance:	20 mΩ maximum
Insulation Resistance:	500 MΩ minimum at 500V DC for 2 mins. max.
Current Rating:	1.5 Amps
Voltage Rating:	125 Volts AC
DWV:	1000 VAC, 60 Hz. 1 minute
LED Forward DC Current:	20 mA typical
LED Forward Voltage:	1.9 Volts maximum @2mA (for single colors) 2.6 Volts maximum @20mA (for bi-colors)

Mechanical

Mating Connector Insertion Force:	5 lbs. maximum
Durability:	20 lbs. minimum
Recommended Soldering Temperature:	750 mating and unmating cycles Wave soldering peaked at 260°C for 5 seconds maximum (connectors without LEDs are suitable for IR reflow)
Operating Temperature:	-55°C to + 85°C
UL File #:	E135615
CSA File #:	150190

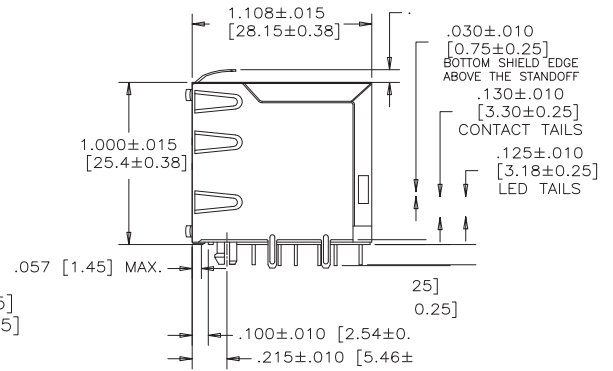
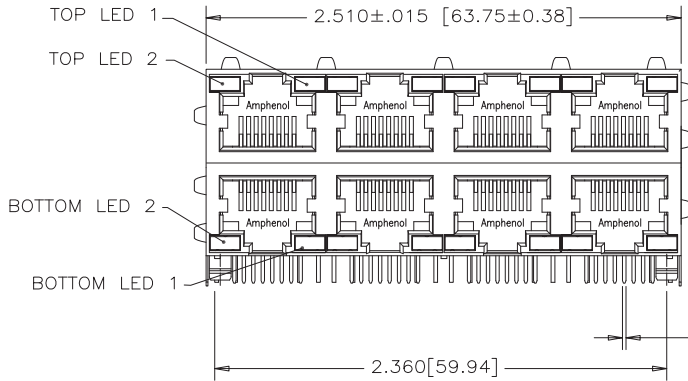
Ordering Information



Single Port Non-Shielded

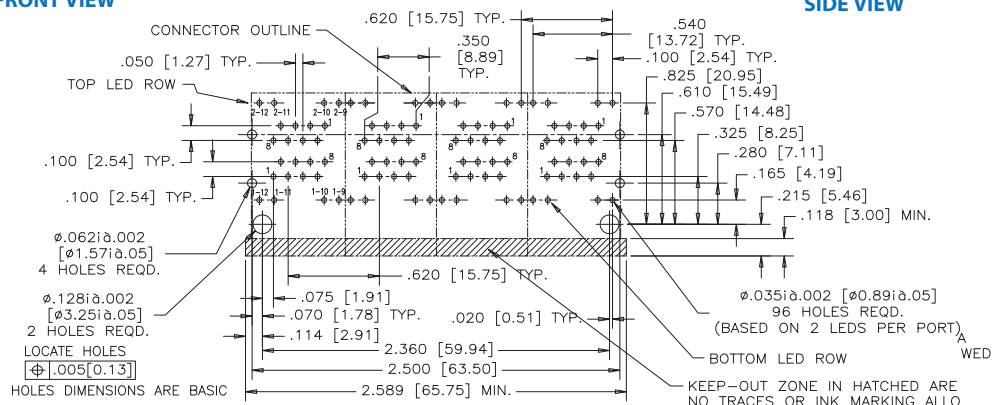
RJSNE-538X-X8

079^{+0.031}_{-0.016} [2.00^{+0.80}_{-0.40}]



FRONT VIEW

SIDE VIEW



RECOMMENDED PCB LAYOUT

Notes

RJE48

CAT 5e, RIGHT ANGLED, LOW PROFILE

Right Angled, Low Profile

The RJE48 series of modular jacks meet CAT5e performance per EIA-568-C.2. It supports Gigabit Ethernet Protocols. Shielding available for increased EMI performance and LEDs for link activity and network verification.



Specifications

Material

Insulator:	High temperature thermoplastic. Complies with UL 94V-0.	LED Reverse Voltage:	5 Volts minimum
Contacts:	Colour: Black. Phosphor Bronze hard temper with gold thickness option (6µ", 15µ", 30µ", 50µ"), over 50µ" minimum nickel on contact mating area.	LED Light Intensity:	0.4 to 1.5 mCd @2mA (for single colors) 0.5 mCd min. @2mA (for bi-colours)
Shield:	Stainless steel with tin dipped tails.	LED Wave Length:	Yellow: 587± 7 nm measured at 20mA Green: 565 ± 6 nm measured at 20mA Red: 625 ± 5 nm measured at 20mA
LED:	Tin plating on LED tails.		

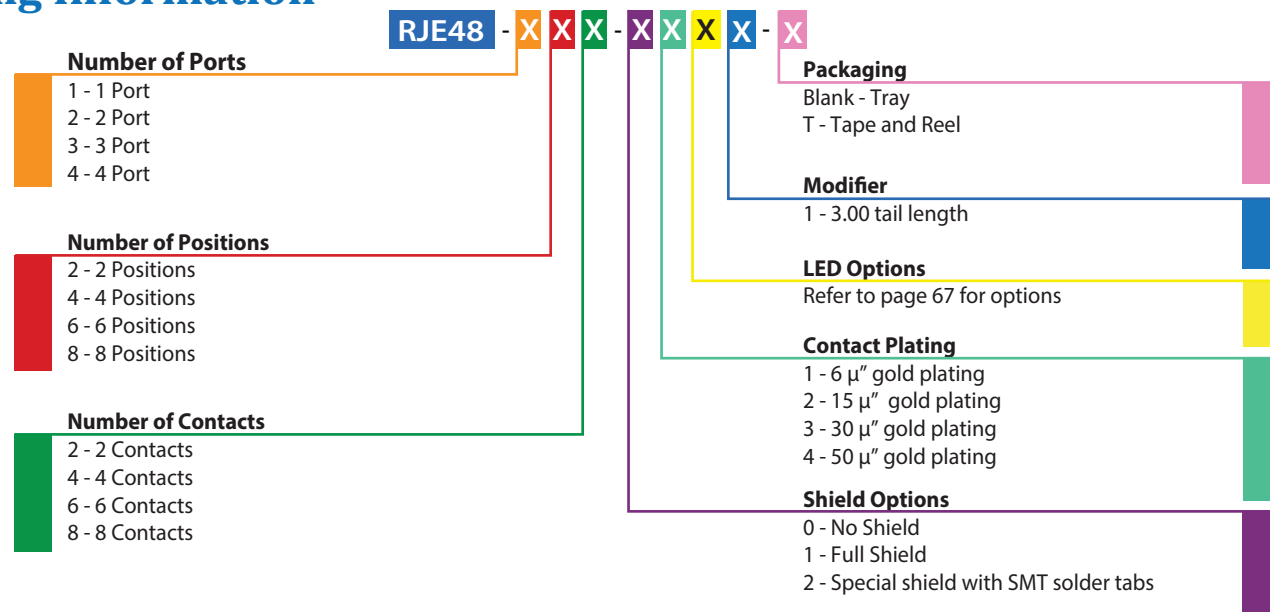
Electrical

Contact Resistance:	20 mΩ maximum
Insulation Resistance:	500 MΩ minimum at 500V DC for 2 mins. max.
Current Rating:	1.25 Amps
Voltage Rating:	125 Volts AC
DWV:	1000 VAC, 60 Hz. 1 minute
LED Forward DC Current:	20mA typical
LED Forward Voltage:	1.9 Volts maximum @2mA (for single colours) 2.6 Volts maximum@20mA (for Bi-colours)

Mechanical

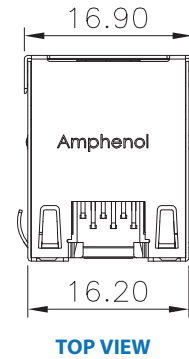
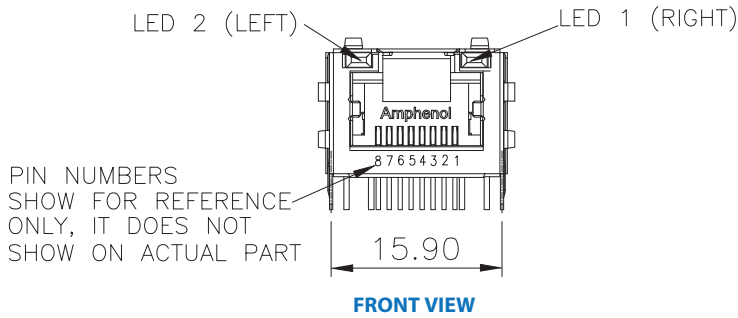
Mating Connector Insertion Force:	5 lbs. maximum
Mating Connector Pull Retention Force:	20 lbs. minimum
Durability:	750 mating & unmating cycles
Recommended Soldering Temperature:	Wave soldering peaked at 260°C for 5 seconds maximum.
Operating Temperature:	-55°C to + 85°C

Ordering Information

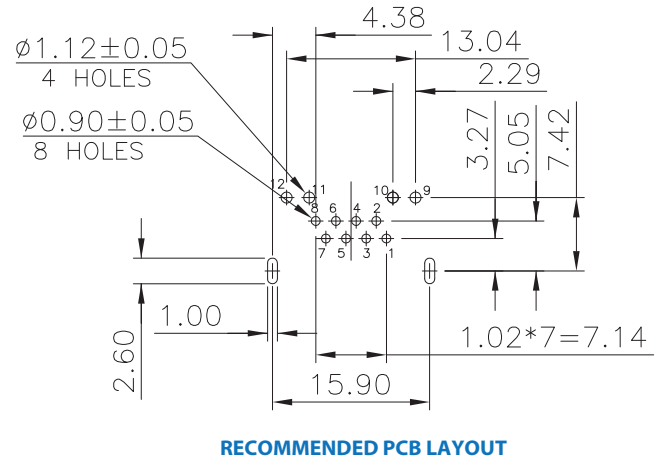
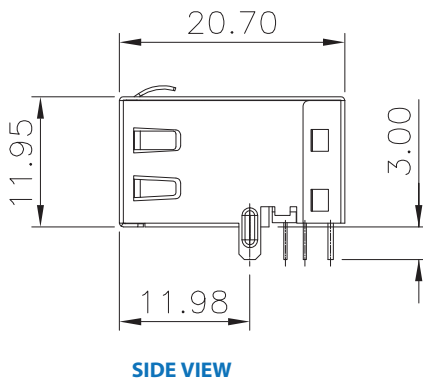


Single Port Non-Shielded

RJE48-188-1XX1

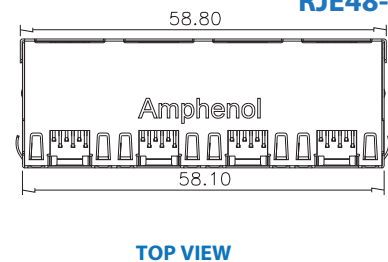
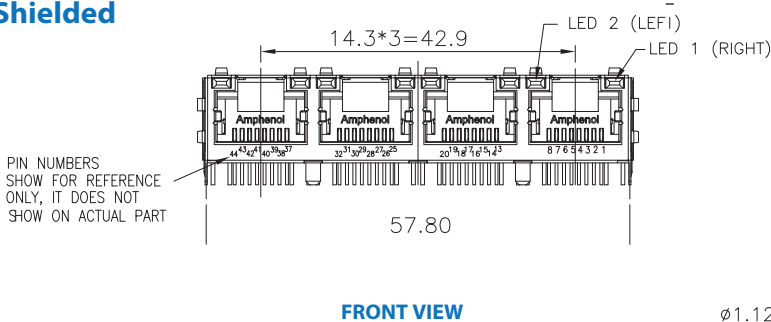


PIN NUMBERS
SHOW FOR REFERENCE
ONLY, IT DOES NOT
SHOW ON ACTUAL PART

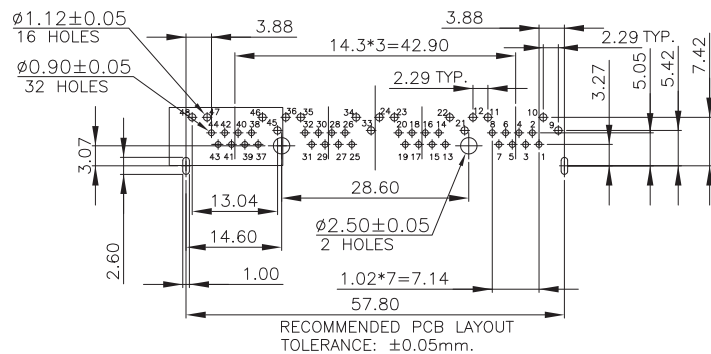
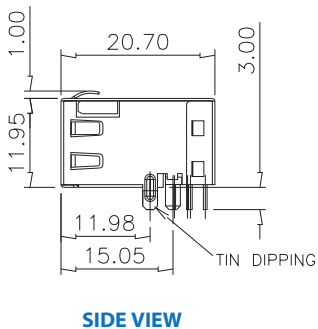


Shielded

RJE48-488-1XX1



PIN NUMBERS
SHOW FOR REFERENCE
ONLY, IT DOES NOT
SHOW ON ACTUAL PART



RJE58

CAT 5e, RIGHT ANGLED, STANDARD PROFILE

Right Angled, Standard Profile

The RJE58 series of modular jacks meet Cat5e performance per EIA-568-C.2. It supports Gigabit Ethernet Protocols. Shielding available for increased EMI performance and LEDs for link activity and network speed verification.



Specifications

Material

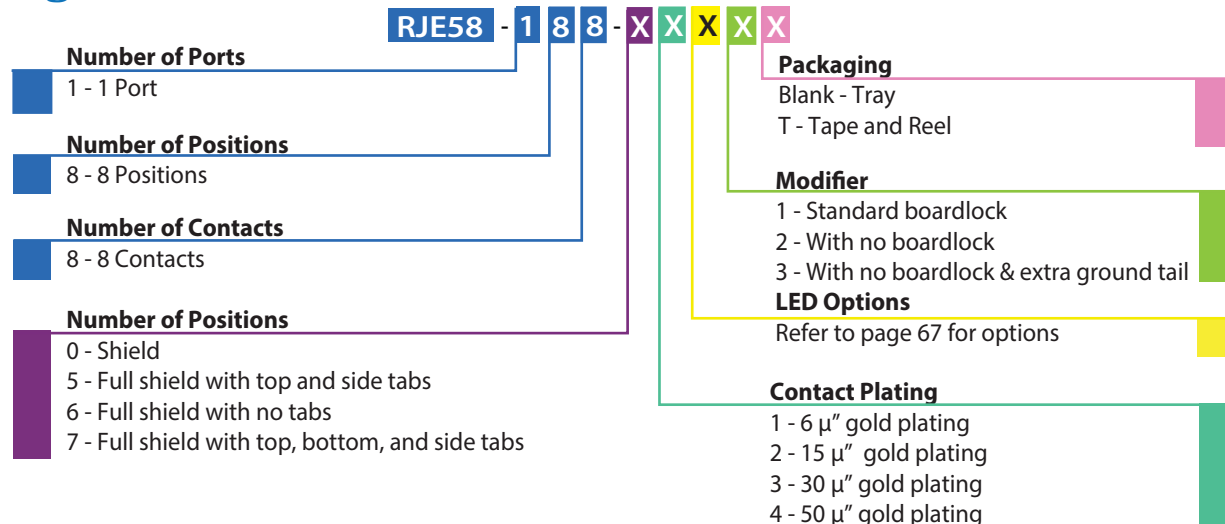
Insulator:	High temperature thermoplastic. Complies with UL 94V-0. Colour: Black.	LED Reverse Voltage:	5 Volts minimum
Contacts:	Phosphor Bronze hard temper with gold thickness option (6µ", 15µ", 30µ", 50µ"), over 50µ" minimum nickel on contact mating area.	LED Light Intensity:	0.4 to 1.5 mCd @2mA (for single colors) 0.5 mCd min. @2mA (for bi-colours)
Shield:	Stainless steel with tin dipped tails.	LED Wave Length:	Yellow: 587± 7 nm measured at 20mA Green: 565 ± 6 nm measured at 20mA Red: 625 ± 5 nm measured at 20mA
LED:	Tin plating on LED tails. Epoxy lens.		

Electrical

Contact Resistance:	20 mΩ maximum	Mating Connector Insertion Force:	5 lbs. maximum
Insulation Resistance:	500 MΩ minimum at 500V DC for 2 mins. max.	Mating Connector Pull Retention Force:	20 lbs. minimum
Current Rating:	1.25 Amps	Durability:	750 mating & unmating cycles
Voltage Rating:	125 Volts AC	Recommended Soldering Temperature:	Wave soldering peaked at 260°C for 5 seconds maximum.
DWV:	1000 VAC, 60 Hz. 1 minute	Operating Temperature:	-55°C to + 85°C
LED Forward DC Current:	20mA typical		
LED Forward Voltage:	1.9 Volts maximum @2mA (for single colours) 2.6 Volts maximum@20mA (for Bi-colours)		

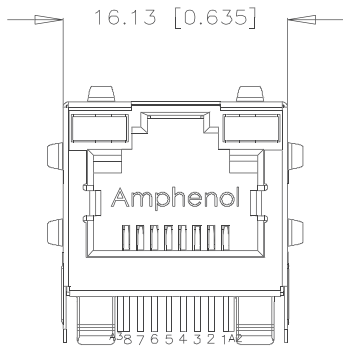
Mechanical

Ordering Information

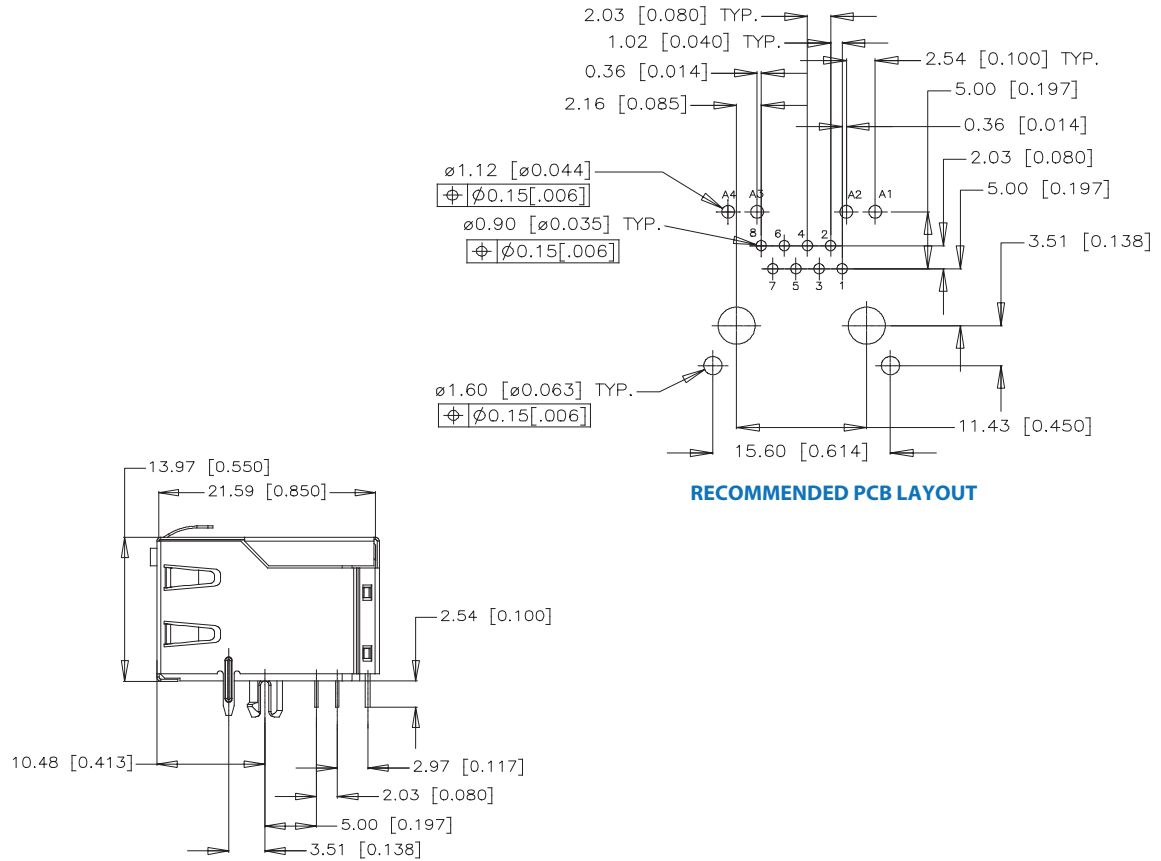


Single Port Non-Shielded

RJE58-188-5XX1



FRONT VIEW

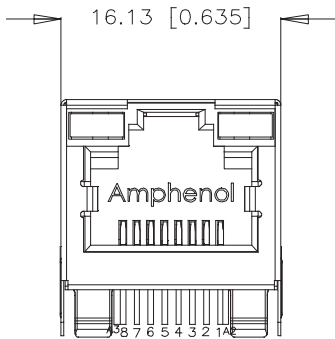


RECOMMENDED PCB LAYOUT

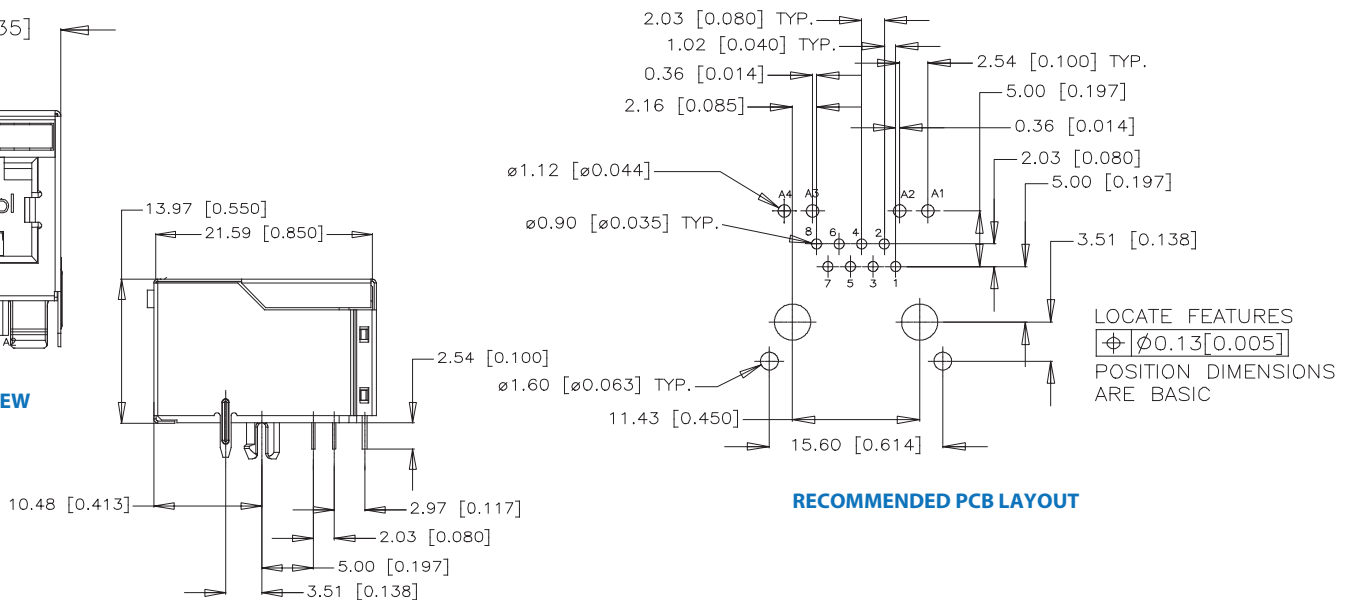
SIDE VIEW

Shielded

RJE58-188-6XX1



FRONT VIEW



RECOMMENDED PCB LAYOUT

SIDE VIEW

RJE72

CAT 5e, RIGHT ANGLED, RECESSED, LOW PROFILE

Right Angled, Recessed, Low Profile

The RJE72 series of modular jacks meet category 5e performance per EIA-568-C.2. It supports Gigabit Ethernet Protocols. Shielding available for increased EMI performance and LEDs for link activity and network speed verification.



Specifications

Material

Insulator:	High temperature thermoplastic. Complies with UL 94V-0.
Contacts:	Colour: Black. Phosphor Bronze hard temper with gold thickness option (6 μ ", 15 μ ", 30 μ ", 50 μ "), over 50 μ " minimum nickel on contact mating area. 100 μ " minimum matte tin on solder tail.
Shield:	Stainless steel with tin dipped tails.
LED:	Tin plating on LED tails. Epoxy lens.

LED Reverse Voltage:	5 Volts minimum
LED Light Intensity:	0.4 to 1.5 mCd @2mA (for single colors)
LED Wave Length:	Yellow: 587 \pm 7 nm measured at 20mA Green: 565 \pm 6 nm measured at 20mA Red: 625 \pm 5 nm measured at 20mA

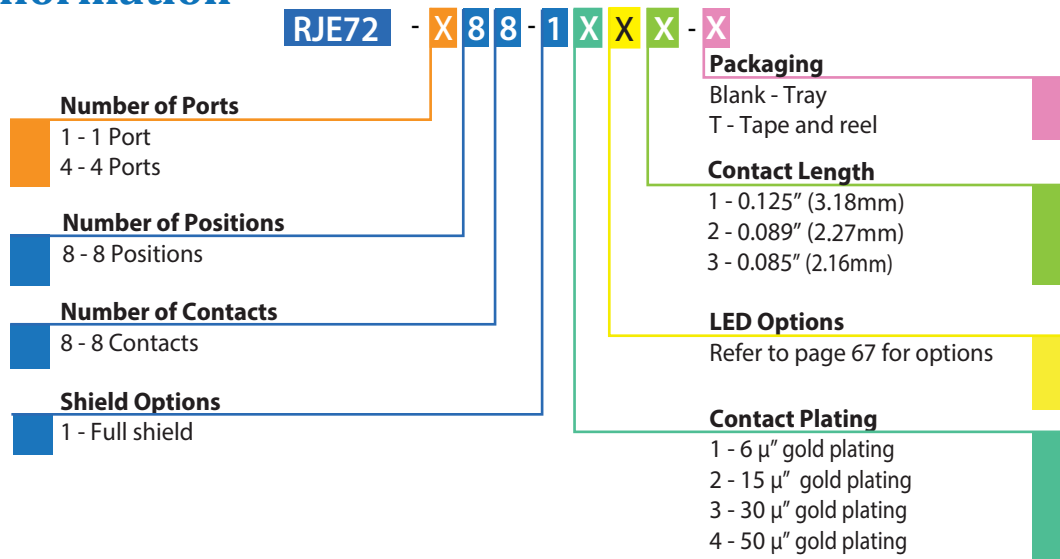
Electrical

Contact Resistance:	20 m Ω maximum
Insulation Resistance:	500 M Ω minimum at 500V DC for 2 mins. max.
Current Rating:	1.25 Amps
Voltage Rating:	125 Volts AC
DWV:	1000 VAC, 60 Hz. 1 minute
LED Forward DC Current:	20mA typical
LED Forward Voltage:	1.9 Volts maximum @2mA (for single colours)

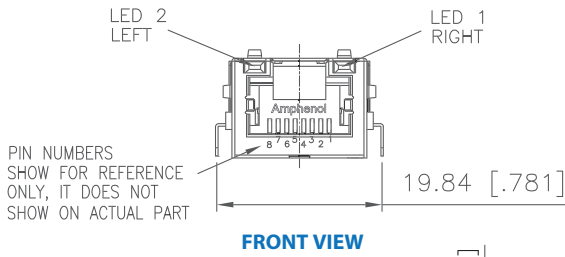
Mechanical

Mating Connector Insertion Force:	5 lbs. maximum
Mating Connector Pull Retention Force:	20 lbs. minimum
Durability:	750 mating & unmating cycles
Recommended Soldering Temperature:	IR Reflow peaked at 260 $^{\circ}$ C for 5 - 8 seconds maximum.
Operating Temperature:	-55 $^{\circ}$ C to + 85 $^{\circ}$ C
UL File #:	E135615

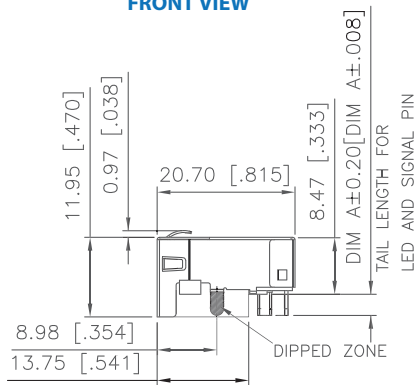
Ordering Information



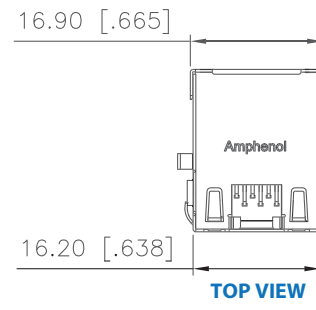
Single Port



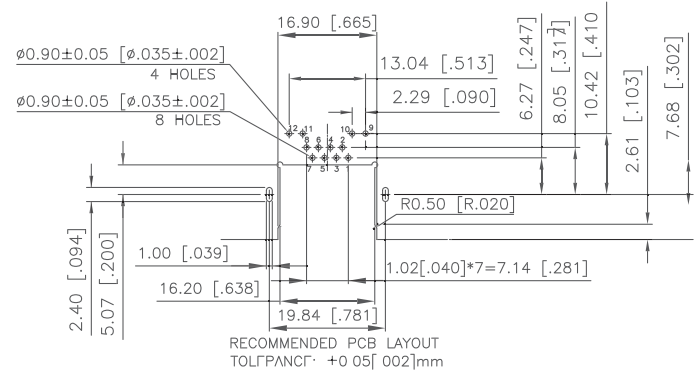
FRONT VIEW



SIDE VIEW



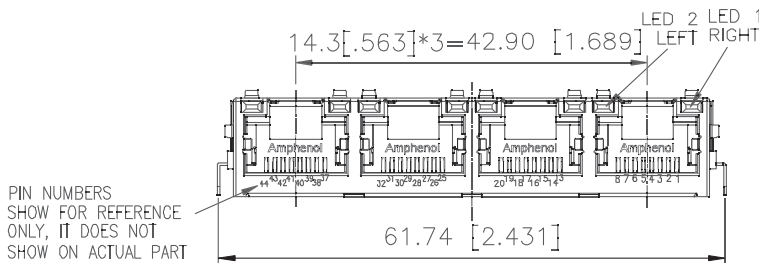
TOP VIEW



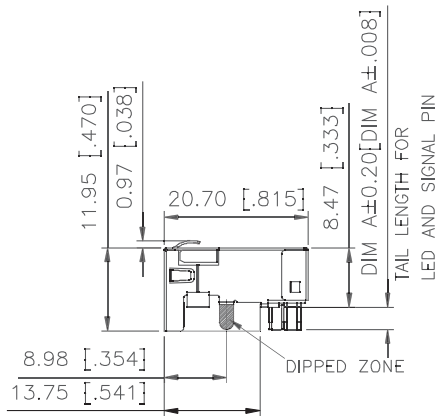
RECOMMENDED PCB LAYOUT

RJE72 - 188 - 14X1

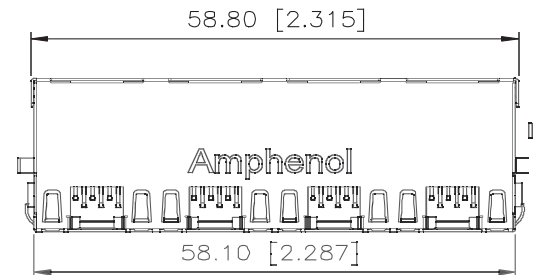
Multi Port Shielded



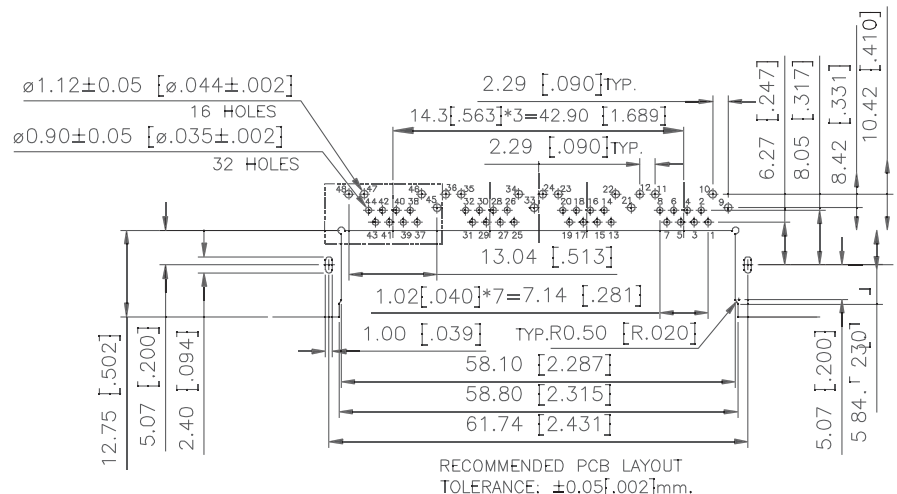
FRONT VIEW



SIDE VIEW



TOP VIEW



RECOMMENDED PCB LAYOUT

RJE72 - 488 - 14X1

RJE71

CAT 6, RIGHT ANGLED, RECESSED, LOW PROFILE

Right Angled, Recessed, Low Profile

The RJE71 series of modular jacks meet category 6 performance per EIA-568-C.2. It supports Gigabit Ethernet Protocols. Shielding available for increased EMI performance and LEDs for link activity and network speed verification.



Specifications

Material

Insulator:	High temperature thermoplastic. Complies with UL 94V-0.
Contacts:	Colour: Black. Phosphor Bronze hard temper with gold thickness option (6 μ ", 15 μ ", 30 μ ", 50 μ "), over 50 μ " minimum nickel on contact mating area. 100 μ " minimum matte tin on solder tail.
Shield:	Stainless steel with tin dipped tails.
LED:	Tin plating on LED tails. Epoxy lens.

Electrical

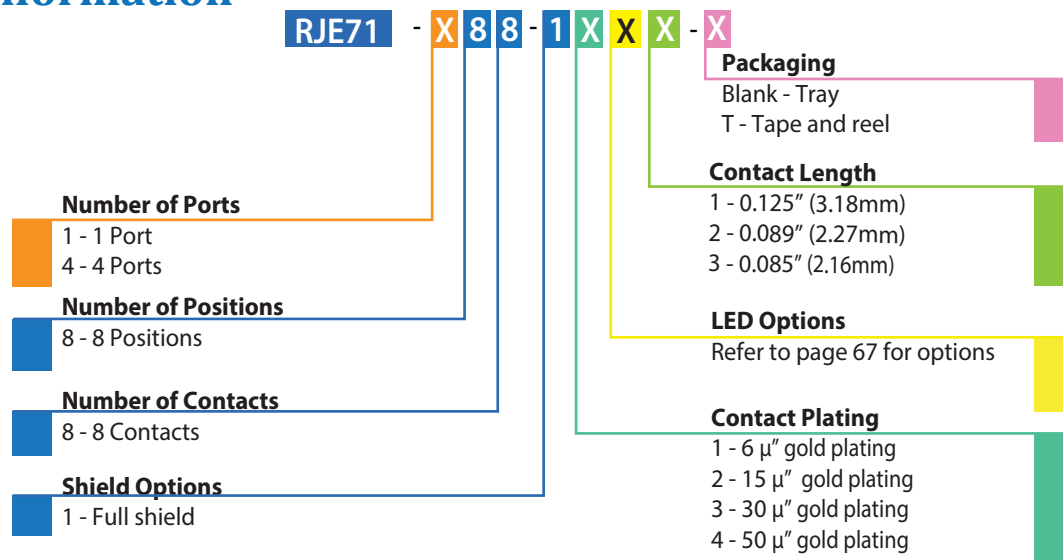
Contact Resistance:	20 m Ω maximum
Insulation Resistance:	500 M Ω minimum at 500V DC for 2 mins. max.
Current Rating:	1.25 Amps
Voltage Rating:	125 Volts AC
DWV:	1000 VAC, 60 Hz. 1 minute
LED Forward DC Current:	20mA typical
LED Forward Voltage:	1.9 Volts maximum @2mA (for single colours)

LED Reverse Voltage:	5 Volts minimum
LED Light Intensity:	0.4 to 1.5 mCd @2mA (for single colors)
LED Wave Length:	Yellow: 587 \pm 7 nm measured at 20mA Green: 565 \pm 6 nm measured at 20mA Red: 625 \pm 5 nm measured at 20mA

Mechanical

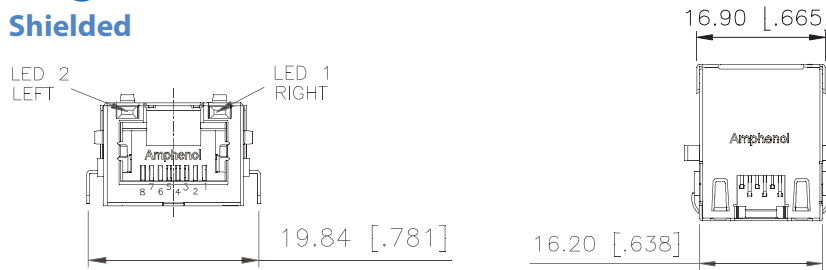
Mating Connector Insertion Force:	5 lbs. maximum
Mating Connector Pull Retention Force:	20 lbs. minimum
Durability:	750 mating & unmating cycles
Recommended Soldering Temperature:	IR Reflow peaked at 260 $^{\circ}$ C for 5 - 8 seconds maximum.
Operating Temperature:	-55 $^{\circ}$ C to + 85 $^{\circ}$ C
UL File #:	E135615

Ordering Information

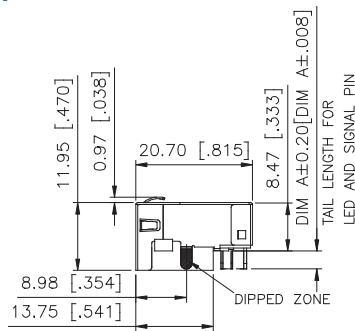


Single Port

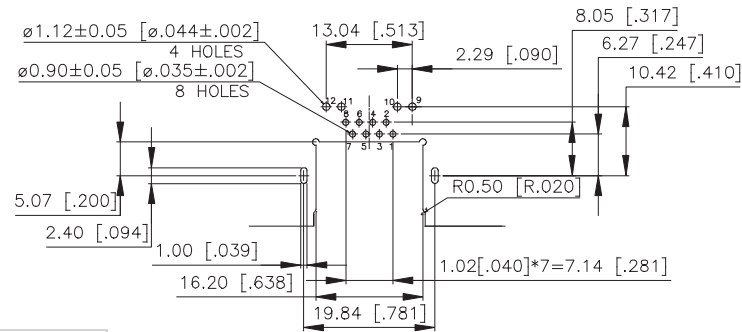
Shielded



RJE71-188-1XXX



TOP VIEW



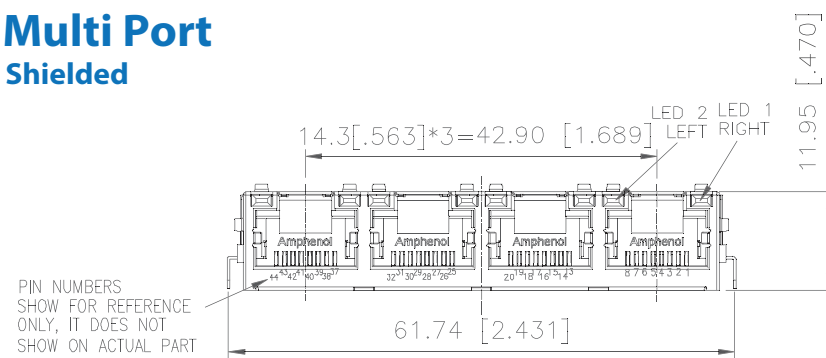
RECOMMENDED PCB LAYOUT

Part Number	DIM A
RJE71-188-1XX1	3.18[0.125]
RJE71-188-1XX2	2.27[0.089]
RJE71-188-1XX3	2.16[0.085]

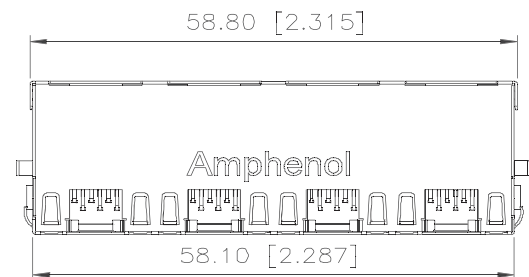
SIDE VIEW

Multi Port

Shielded

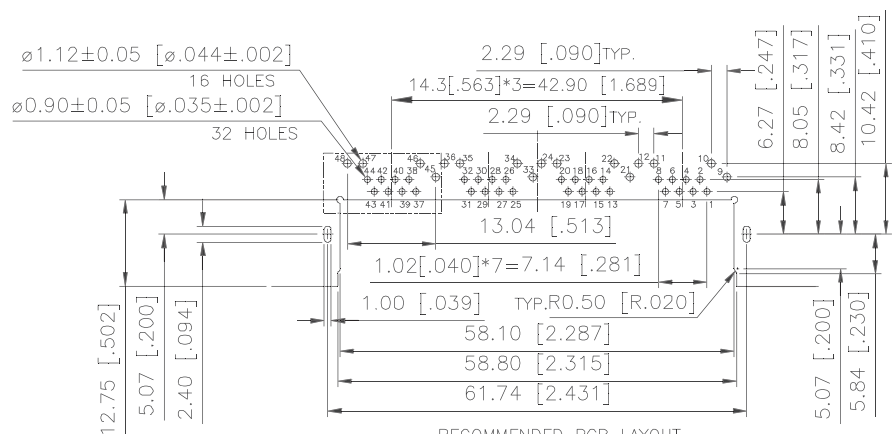
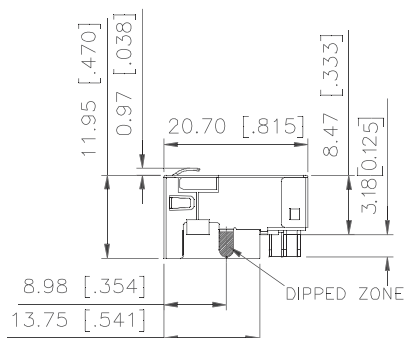


RJE71-488-1XX1



FRONT VIEW

TOP VIEW



RECOMMENDED PCB LAYOUT
TOLERANCE: ±0.05[.002]mm.

RECOMMENDED PCB LAYOUT

RJE45

CAT 6, SINGLE PORT

CAT 6, Single Port

The RJE45 series of modular jacks meet category 6 performance per EIA-568-C.2. It supports Gigabit Ethernet Protocols and 10 Gig links in applications up to 50m. Shielding available for increased EMI performance and LEDs for link activity and network speed verification.



Specifications

Material

Insulator: High Temp thermoplastic. Complies with UL 94V-0.

Contacts: Colour: Black.
Phosphor Bronze hard temper with gold thickness options (6µ", 15µ", 30µ", 50µ"), over 50µ" minimum nickel on contact mating area. 100µ" minimum matte tin plating on solder tails.

Electrical

Contact Resistance: 25 mΩ maximum

Insulation Resistance: 5000 MΩ minimum at 500V DC for 2 mins. max.

Current Rating: 1.25 Amps

Voltage Rating: 125 Volts AC

DWV: 1000 VAC, 60 Hz. 1 minute

LED Forward DC Current: 20mA typical

LED Forward Voltage: 1.9 Volts maximum @2mA

LED Reverse Voltage: 5 Volts minimum

LED Light Intensity:

0.4 to 1.5 mCd @2mA

LED Wave Length:

Yellow: 587 ± 7 nm measured at 20mA

Green: 565 ± 6 nm measured at 20mA

Red: 625 ± 5 nm measured at 20mA

Mechanical

Mating Connector Insertion Force: 5 lbs. maximum

Mating Connector Pull Retention Force: 20 lbs. minimum

Durability: 750 mating & unmating cycles

Recommended Soldering Temperature: Wave soldering peaked at 260°C for 10 seconds maximum.

Operating Temperature: -55°C to + 85°C

Ordering Information

RJE45 - X 8 8 - X X X X X

Number of Ports

- 1 - 1 Port
- 2 - 2 Port
- 3 - 3 Port
- 4 - 4 Port

Number of Positions

- 8 - 8 Positions

Number of Contacts

- 8 - 8 Contacts

Shield Options

- 0 - No Shield
- 1 - Shield with PCB tabs, but no side tabs

Packaging

- Blank - Tray
- T - Tape and Reel

Housing Options

- 1 - Standard, black housing, contact and LED tail length 0.130"
- 2 - Black housing, contact and LED tail length 0.130", with flange.

LED Options

Refer to page 67 for options

Contact Plating

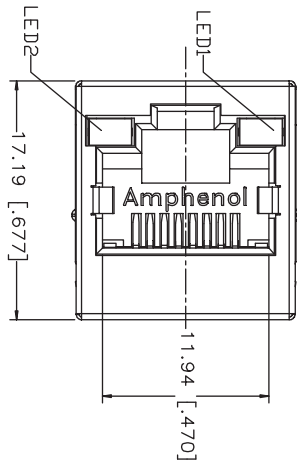
- 1 - 6 µ" gold plating
- 2 - 15 µ" gold plating
- 3 - 30 µ" gold plating
- 4 - 50 µ" gold plating

Didn't find what you were looking for?

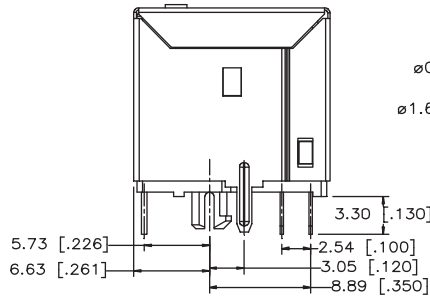
Please contact sales@amphenolcanada.com and let us know what you need.

Single Port

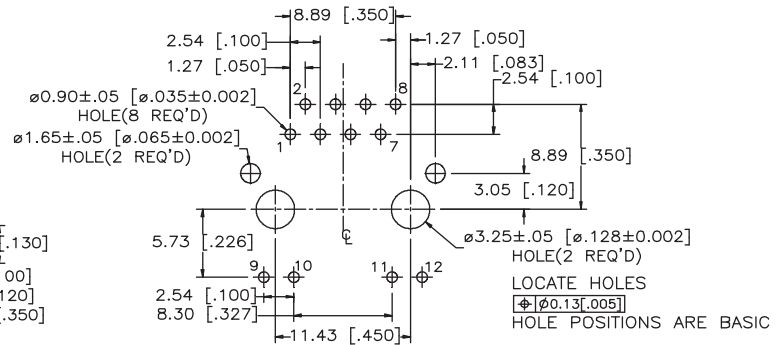
RJE45-188-1XX1



FRONT VIEW



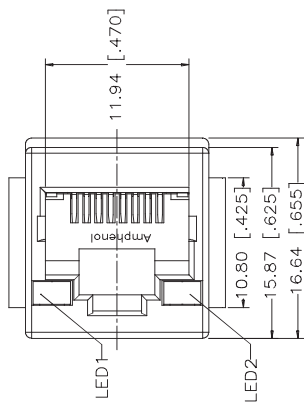
SIDE VIEW



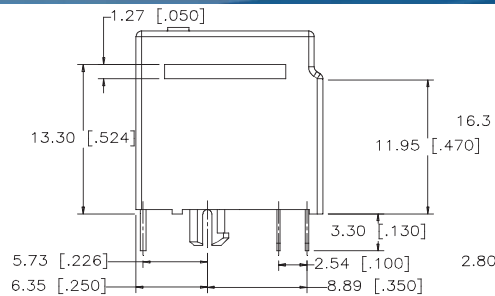
RECOMMENDED PCB LAYOUT

Single Port

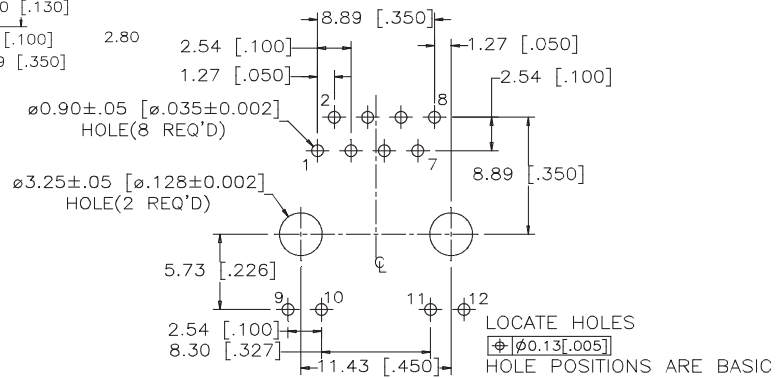
RJE45-188-0XX1



FRONT VIEW



SIDE VIEW



RECOMMENDED PCB LAYOUT

Notes

RJE17

RJ 45 COUPLER

RJ45 Coupler

The RJE17 coupler provides connections through barriers such as equipment covers and panels. They are locked into place with a panel latch for secure mounting. Available in category 3 and category 5 performance. The added shielding provides optional EMI protection.



Specifications

Material

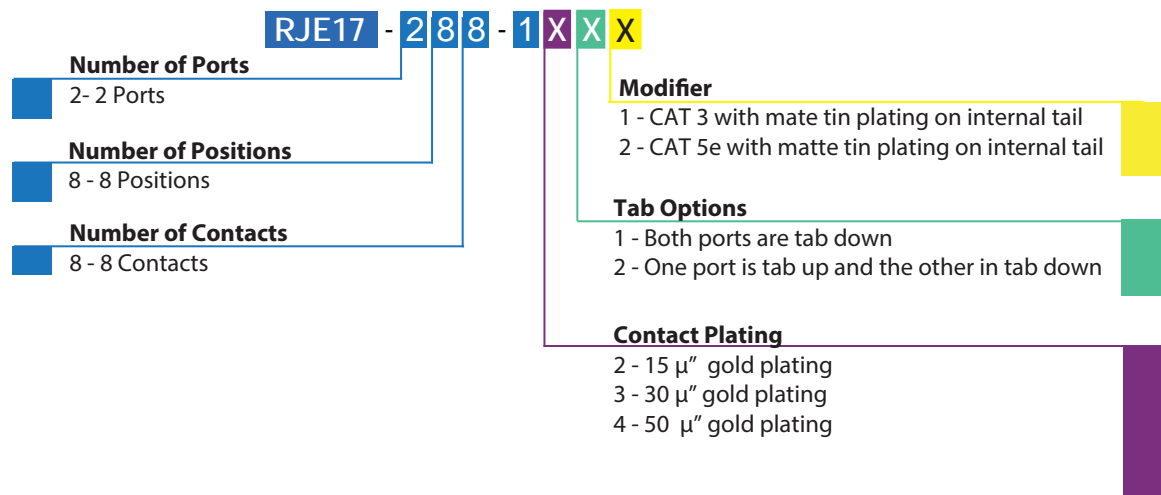
Insulator:	Engineering thermoplastic. Complies with UL 94V-0.
Contacts:	Colour: Black. Phosphor Bronze hard temper with gold thickness options (30µ", 50µ") over 50µ" minimum nickel on contact mating area.
Shield:	Stainless steel

Mating Connector Insertion Force:	5 lbs. maximum
Mating Connector Pull Retention Force:	20 lbs. minimum
Durability:	750 mating & unmating cycles
Operating Temperature:	-40°C to + 85°C

Electrical

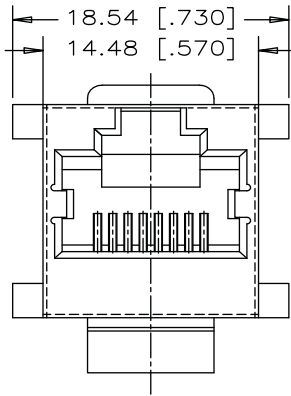
Contact Resistance:	20 mΩ maximum
Insulation Resistance:	500 MΩ minimum at 500V DC for 2 mins. max.
Current Rating:	1.5 Amps
Voltage Rating:	125 Volts AC
DWV:	1000 VAC, 60 Hz. 1 minute

Ordering Information

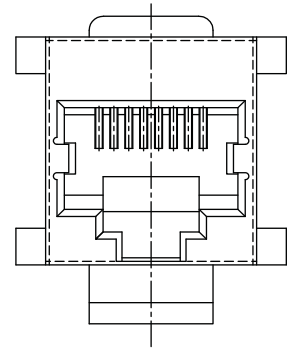


Single Port

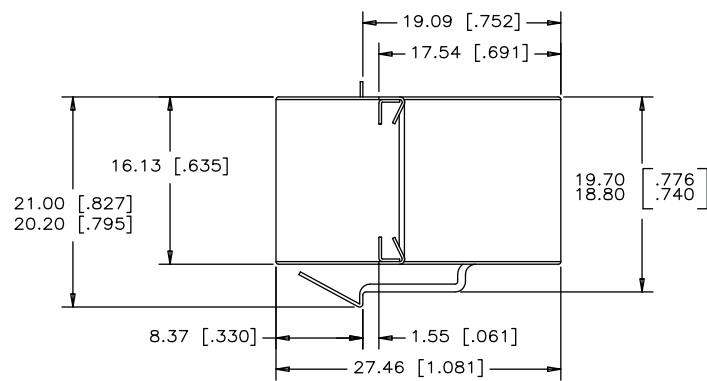
RJE17-288-1X21



FRONT VIEW



REAR VIEW



SIDE VIEW

Notes

LED OPTIONS

LED Designation

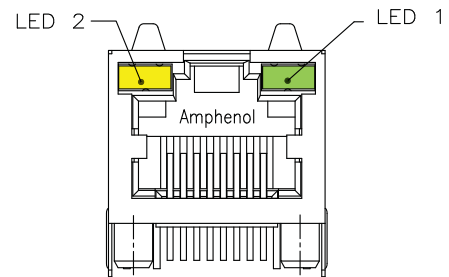
Ex. RJHSE - 538X*

*LED Designation Code

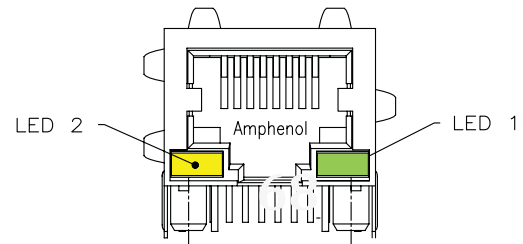
LED Code	LED 2 Left		LED 1 Right	
0	Blocked		Blocked	
1	Yellow		Green	
2	Blocked		Green	
3	Yellow		Blocked	
4	Green		Yellow	
5	Green		Green	
6	Yellow		Yellow	
7	Red		Green	
8	Green		Red	
9	Green		Blocked	
A	Green	Yellow	Green	Yellow
B	Red	Green	Red	Green
C	Red	Green	Green	Yellow
D	Green		Green	Yellow
E	Yellow		Green	Yellow
F	Green	Yellow	Yellow	
G	Green	Orange	Green	Orange
H	Green	Yellow	Green	
J	Red	Green	Yellow	
K	Yellow		Green	Orange
L	Green	Yellow	Red	
M	Red		Yellow	
N	Green	Red	Green	Yellow
P	Green		Red	Green
R	Green	Orange	Green	
T	Red		Red	
V	Red	Green	Green	

Note: A black X in the part number refers to the LED designation code for all drawings in this catalogue.

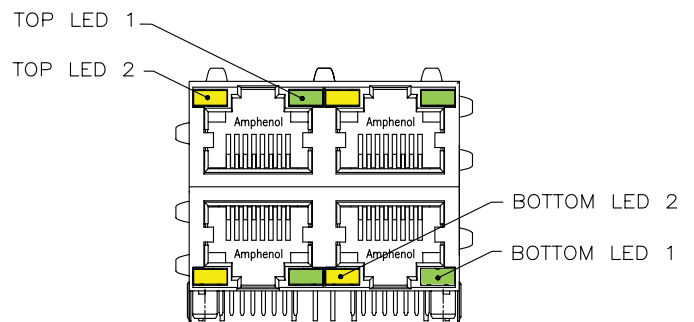
For Right Angle Connectors:



For Vertical Connectors:



For Stacked Connectors:



Other LED options are available. If you do not see what you're looking for, please email sales@amphenolcanada.com to request the complete the LED ordering options.

NOTES

The Amphenol logo consists of the word "Amphenol" in a bold, blue, sans-serif font, followed by a registered trademark symbol (®).

Amphenol®

Now you're connected!

Location:

605 Milner Avenue
Toronto, Ontario
Canada, M1B 5X6

Website: www.amphenolcanada.com

Telephone: (416) 754-5656

Fax: (416) 754-8668

Email: sales@amphenolcanada.com

All specifications are subject to change without notice.