

Features

- Compliant with IEEE802.3 standards
- Designed for 10/100/1000 Base-T and PoE
- 5K VAC dielectric withstanding voltage
- RoHS compliant*

Applications

- LAN
- Ethernet
- Power over Ethernet - PoE

SM51589PEL LAN 10/100/1000 Base-T Transformer (PoE) Modules

Electrical Specifications @ 25 °C

Turns Ratio ($\pm 5\%$)	1CT:1CT
OCL (@100 kHz, 0.1 V, 8 mA, DC Bias)	350 μ H min.
Leakage Inductance (@100 kHz, 0.1 V)	0.5 μ H max.
Isolation Hi-Pot	5000 VAC, 1 mA, 2 seconds
Insertion Loss	
1-100 MHz	-1.0 dB max.
Return Loss (@ 100 Ohms)	
1-30 MHz	-18 dB min.
40 MHz	-14.4 dB min.
50 MHz	-13.1 dB min.
60-80 MHz	-12 dB min.
100 MHz	-10 dB min.
Cross Talk	
30 MHz	-45 dB min.
60 MHz	-40 dB min.
80 MHz	-35 dB min.
DCMR	
30 MHz	-43 dB min.
60 MHz	-37 dB min.
80 MHz	-33 dB min.
PoE Current	Up to 720 mADC
Operating Temperature Range	-40 °C to +85 °C
Storage Temperature Range	-25 °C to +125 °C

Packaging Specifications

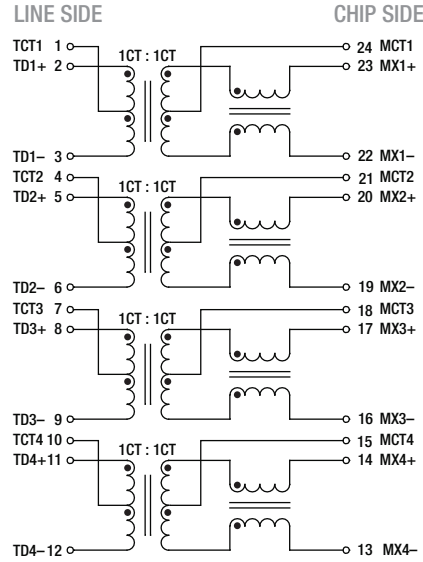
Tape & Reel 400 pcs./reel

How To Order

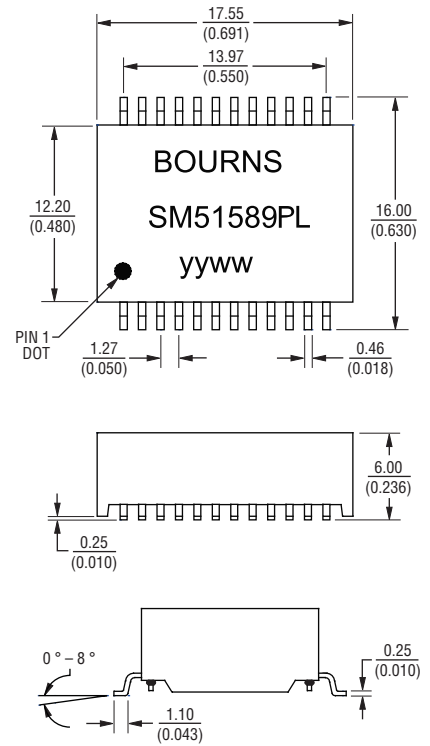
SM51589 P E L

Model	_____
Construction	_____
P = Potted	_____
Packaging	_____
E = Tape and Reel (400 pcs./reel)	_____
Termination	_____
L = Tin (RoHS Compliant)	_____

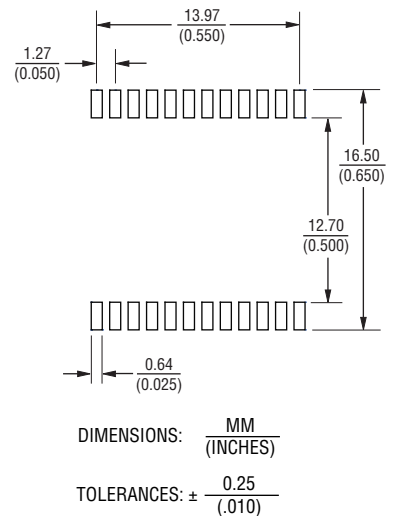
Electrical Schematic



Product Dimensions



Recommended Layout



*RoHS Directive 2002/95/EC Jan. 27, 2003 including annex and RoHS Recast 2011/65/EU June 8, 2011.

Specifications are subject to change without notice.

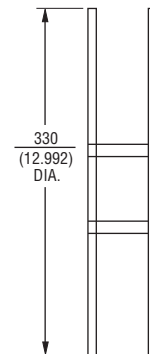
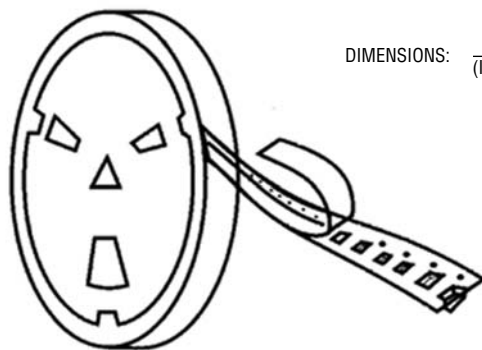
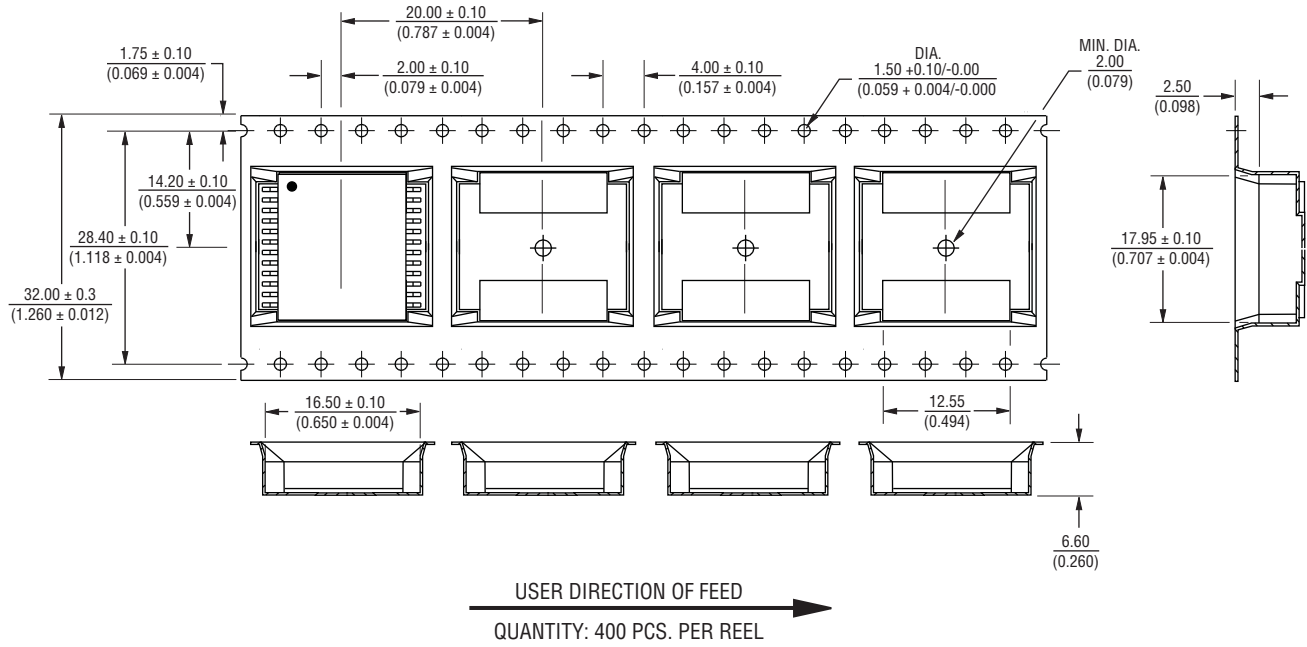
The device characteristics and parameters in this data sheet can and do vary in different applications and actual device performance may vary over time.

Users should verify actual device performance in their specific applications.

SM51589PEL LAN 10/100/1000 Base-T Transformer (PoE) Modules

BOURNS®

Packaging Specifications



BOURNS®

Asia-Pacific: Tel: +886-2 2562-4117 • Fax: +886-2 2562-4116

EMEA: Tel: +36 88 520 390 • Fax: +36 88 520 211

The Americas: Tel: +1-951 781-5500 • Fax: +1-951 781-5700

www.bourns.com

08/14

Specifications are subject to change without notice.
 The device characteristics and parameters in this data sheet can and do vary in different applications and actual device performance may vary over time.
 Users should verify actual device performance in their specific applications.